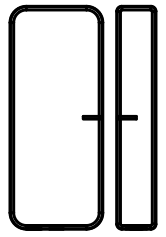


INSTALLATION INSTRUCTIONS



ZWN-BDS Z-Wave Magnetic Door /Window Sensor

◆ SPECIFICATIONS

Power Supply.....CR2 battery x1pcs
 Operation Gap.....Up to 1/2 inch
 Operation Temperature.....32-104°F
 RF Range.....Up to 131 feet line of sight between the Wireless Controller and the closest Z-Wave receiver module.
 Z-Wave Frequency..... 908.42MHz

◆ FEATURE

- Battery-powered Z-Wave device for easy installation
- Provide Open/Close status to monitor door or window
- Battery life approximately 1 year and Low battery detection
- Support Z-Wave associations, sending commands up to 5 associated Z-Wave devices
- For indoor use only

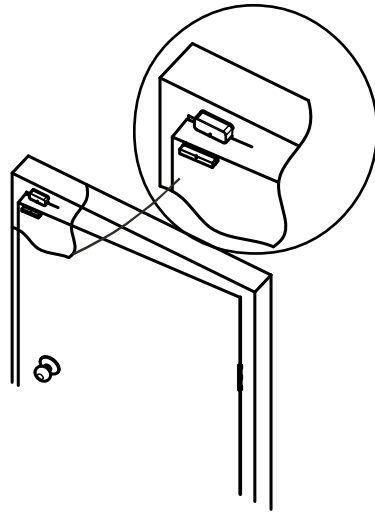
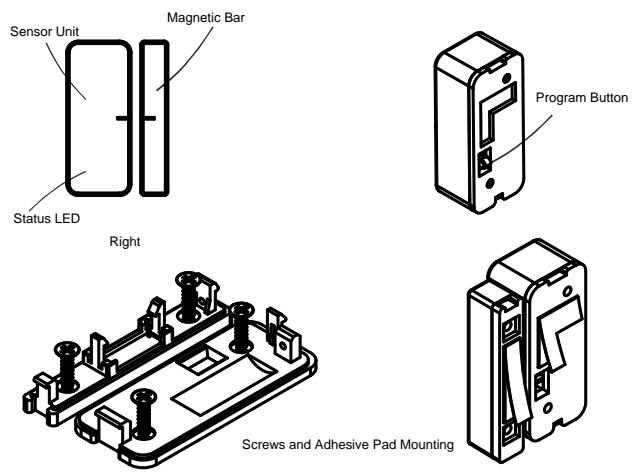
◆ DESCRIPTION

The ZWN-BDS is a battery-powered and magnetic contact sensor that indirectly controls lights and appliances throughout your house. It is fully compatible with other Z-Wave certified device from other manufacturers and/or other applications. When magnetic contact is broken, such as a door or window being opened, the ZWN-BDS transmits Open/Close status to the gateway, which can do things like turning on lights, setting the thermostat to a comfortable setting and notify you when the door or window is opened and the sensor is armed.

◆ INSTALLATION

1. The Door/Window Sensor consists of two parts: Sensor Unit and Magnetic Bar.
2. Insert one CR2 battery to the Sensor Unit (noting the proper orientation).

3. Place Both Sensor Unit and Magnetic Unit by using screws and/or adhesive pad.
4. The Sensor Unit and Magnetic Bar can be mounted vertically or horizontally. It is recommended to mount the Sensor Unit to Door/Window frame and Magnetic Bar to the Door/Window, no more than 1/2 inch apart. Ideally, the Door/Window frame should be wooden because of metal surface could sometime cause signal interference.



◆ OPERATION

Adding to Z-Wave network

At the back of Door/Window Sensor, there is a program button which is used to do adding/removing and association. Also it can be used as a tamper alarm button, and wake up Door/Window sensor manually.

The program button on the ZWN-BDS Z-Wave Magnetic Door/Window Sensor allows the user to:

ADD AND REMOVE

1. When the primary controller is in the adding mode, flicks the paddle 3 times in the 1.5 second. The primary controller will verify the adding.
2. When the primary controller is in the removing mode, flicks the paddle 3 times in the 1.5 second. The primary controller will verify the removing, remove the module from the current Z-Wave network.

Manual Control

3. Short press the program button of ZWN-BDS ,that will send a wake up notification.
4. Flicks the program button 3 times in the 1.5 second then press once and hold for 2 second. the device will send a device reset locally notification to controller. Then clear all of information for the network, and restore factory defaults, and reset the module. Use this procedure only in the event that the network primary controller is missing or otherwise inoperable.
5. Press and hold the program button, the device will send Alarm Report:0x07 0x00, that means normal installation. When release it, the device will send Alarm Report: 0x07 0x03, that means abnormal installation.

◆ ADVANCED FEATURE

Wake up command class

The Door/Window sensor will send a wakeup notification command if it has been added into a Z-Wave network. The Door/Window Sensor will wake up periodically(default is 5 minutes) as desired depending on time interval you set from wakeup command class and resend the wakeup notification command unless configured for another time interval.

INSTALLATION INSTRUCTIONS

The Door/Window sensor will stay awake for 2 seconds and then go back to sleep to conserve battery life. It will also go to sleep when receives command WAKE_UP_NO_MORE_NOTIFICATION. The Door/Window Sensor can be woken up manually: press the program button when release the button it will send broadcast wakeup notification or singlecast wakeup notification to associated devices.

Specification for WAKEUP_INTERVAL_SET:

0x00003C Minimum value (Equal to 60 seconds)
0x015180 Maximum value (Equal to 68400 seconds, or 24 hours)
0x00012C Default value (Equal to 300 seconds, or 5 minutes)
0x000000-0x00003B, 0x015181-0xFFFF, these values will be ignored.

Association

Grouping ID	Max number of nodes	Description
1	1	1. Battery Report Lifeline: 2. Notification Report 3. Device Reset Locally Notification
2	5	Access Control notifi rep: Notification Report
3	5	Home Security notifi rep: Notification Report

Notification

V1 Alarm Type	0x00
V1 Alarm Level	0x00
Notification Type	0x06
Event	0x16 door/ window is opened
	0x17 door / window is closed
Notification Type	0x07
Event	0x03 product covering removed

Battery command class

ZWN-BDS will check the battery power level every day and report the battery level by sending singlecast BATTERY_REPORT. When battery level is greater than 2.8V, it will send singlecast command (BATTERY_REPORT, value 0x64). Or else when battery level is greater than 2.6V, it will send singlecast command (BATTERY_REPORT, value 0x10). Or else when battery level is greater than 2.4V, it will send singlecast command (BATTERY_REPORT, value 0x00). Or else when battery level is less than 2.4V, it will send singlecast command (BATTERY_REPORT, value 0xFF).User needs to replace new batteries.

Restoring Factory Defaults

All information of network can all be restored to their factory default settings by using your primary controller or manual reset control to reset the device.

◆ TROUBLESHOOTING

Cannot carry out adding, deleting or association

1. Check to see if the battery is running out.
2. Make sure the battery is in right place.
3. Check if the wireless distance is too far

Cannot control the connected modules

1. Check to see if the battery is running out.
2. Check if the wireless distance is too far.

The sensor does not working

1. Check to see if the battery is running out.
2. Check if the wireless distance is too far.
3. Look for any nearby source of infrared energy that may interface.

◆ WARRANTY INFORMATION

Our company warranties this product to be free of defects in materials and workmanship for a period of two(2) years. There are no obligations or liabilities on the part of our company for consequential damages arising out of, or in connection with, the use or performance of this product or other indirect damages with respect to loss of property, revenue or profit, or cost of removal, installation or reinstallation.

Jan, 2017
11035C