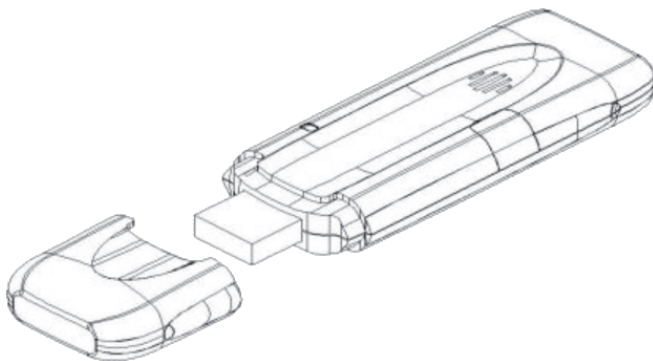


# User Manual

**TechniSat Z-Wave®** Stick 1



**TechniSat**

## Introduction

Thank you for choosing **TechniSat's Z-Wave Stick 1**.

This product can be operated in any Z-Wave network with other Z-Wave certified devices from other manufacturers. All non-battery operated nodes within the network will act as repeaters regardless of vendor to increase reliability of the network.

## Operation

This device cannot do Z-Wave network operations on its own, it needs a Z-Wave certified controller software application to perform Z-Wave network operations. Please connect the Z-Wave Stick 1 to a USB port of your TechniSat Smart Home enabled receiver/TV. Refer to your TechniSat's Smart Home enabled receiver/TV manual on how to perform Z-Wave network operations.

## Specification

Protocol: Z-Wave

Frequency: 868,42 MHz; 869,85 MHz

Art.No.: 0000/9536

EAN 4019588 095366

Z-Wave and Z-Wave Plus are registered trademarks of Sigma Designs and its subsidiaries in the United States and other countries

Subject to technical changes and errors.

Subject to change for amendments and printing errors Last updated: 3/17  
Duplication and reproduction only with the publisher's approval.

**TechniSat** are a registered trademark of  
TechniSat Digital GmbH  
PO box 560  
54541 Daun (Germany)  
[www.technisat.de](http://www.technisat.de)

Technical Hotline  
Mon. - Fri. 8:00 - 20:00  
03925/9220 1800

Caution!

If you encounter a problem with this equipment, please contact our Technical  
Hotline initially.