

AMADAS Smart Door Lock

User and Reference Guide

ADSL - 1001

AMADAS

VER 1.0

AMADAS Smart Door Lock

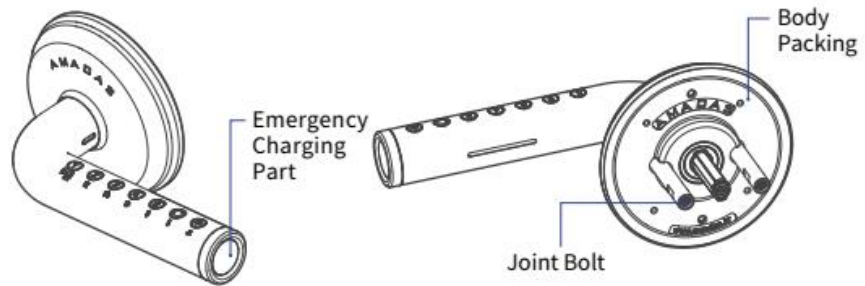
User and Reference Guide

This product can be included and operated in any Z-Wave network with Other Z-Wave certified devices from other manufacturers and / or other applications. All non-battery Operated nodes within the network will act as repeaters regardless of vendor to increase reliability the network.

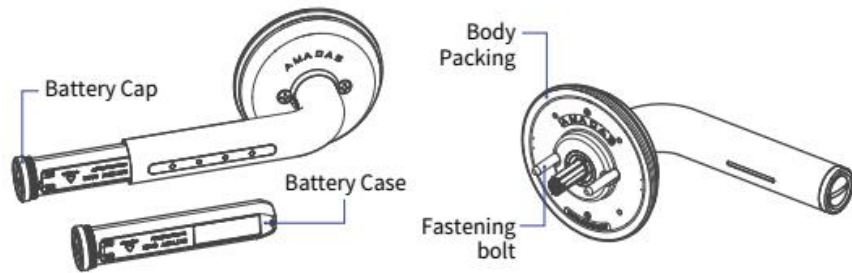
This product is a security enabled Z-Wave Plus product and security enabled Z-Wave controller must be used in order to fully utilize this product.

1. Product Part Information

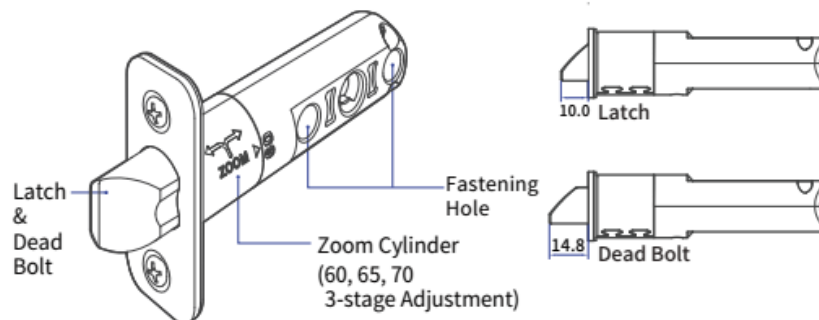
Outer Lever Module

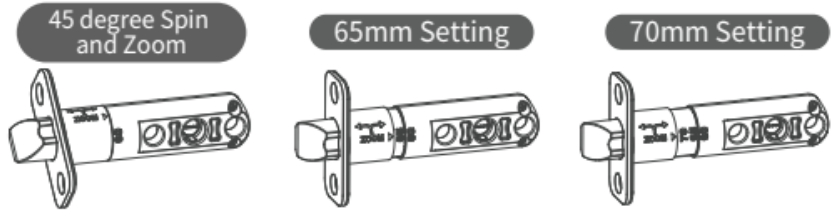


Inner Lever Module

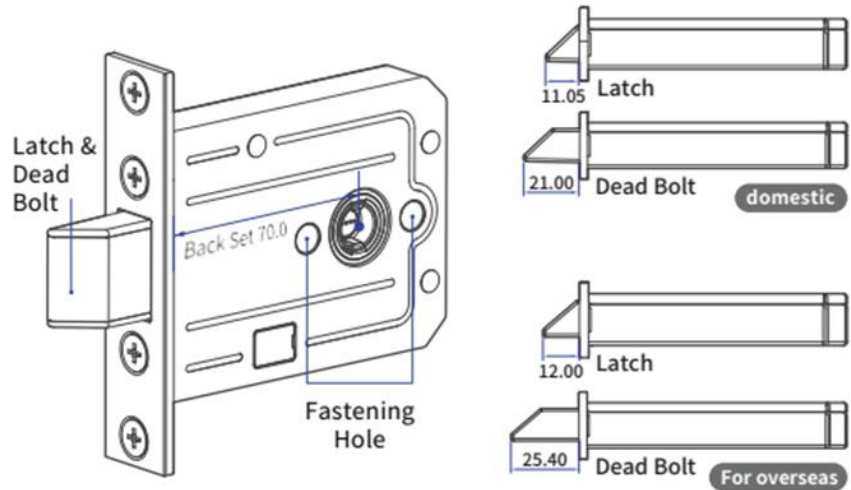


Tubular Assembly





Mortise Assembly



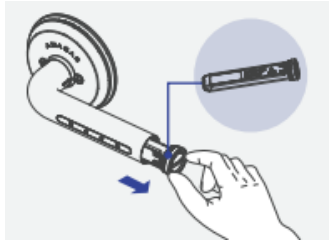
2. Product Specifications

Item	Specification
Exterior Unit Size	D(17.5cm), W(12.5cm), H(9cm), Weight(0.47kg)
Interior Unit Size	D(17.8cm), W(12.5cm), H(9cm), Weight(0.47kg)
Power	2 LR06 AA Alkaline 1.5V Batteries
Emergency Power	Solar Charge DC 3.0V
Door Thickness Range	30~80mm
Installation Hole Size	45~80mm
Exterior Material	Full Stainless Steel & Pipe

3. How to Change Batteries



- 1 Turn the battery cap on the inner lever counterclockwise.



2 Remove the battery case cover after removing it from the lever.



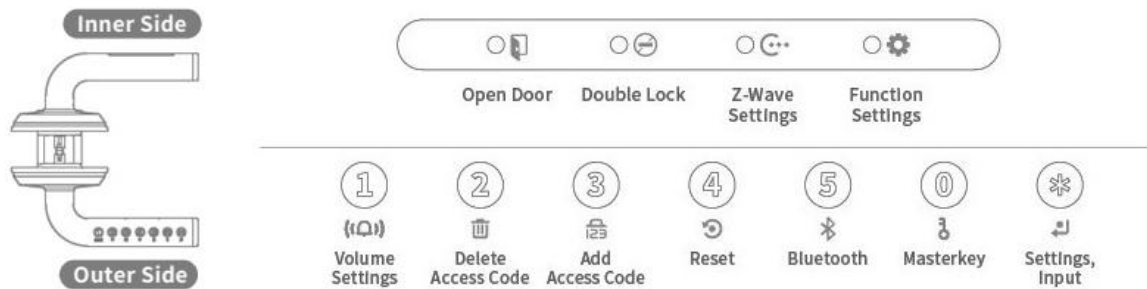
3 Match the +, - polarities shown inside the battery case when replacing, then close the cover.

4 When mounting in the lever, turn it clockwise and tighten it with a coin.

Note) - That leakage or ruptures may occur when the battery is inserted in the wrong way.

- When the batteries have reached the end of their life, replace all batteries at the same time. Be careful not to mix unused batteries with used ones.

4. Button Functions



A. Inner Side Button

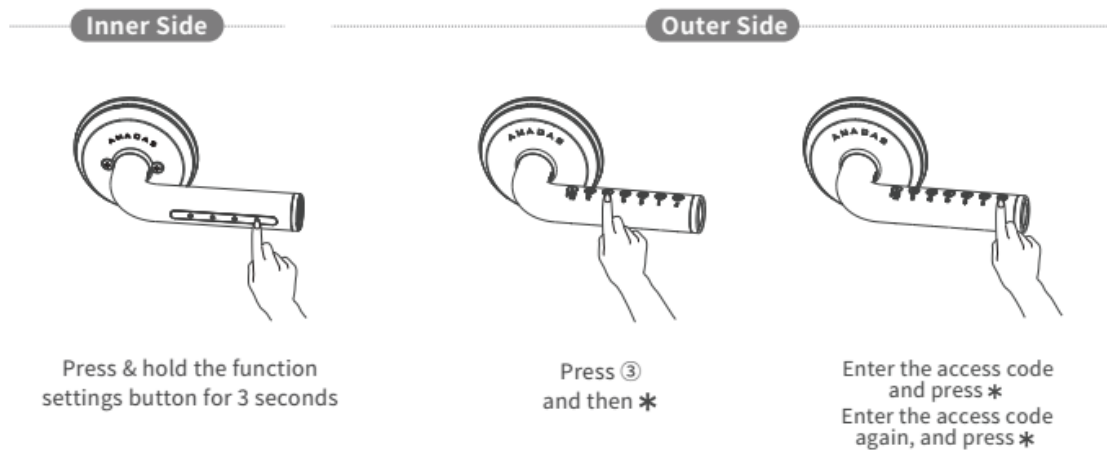
- i. Open Door : Set (or Reset) unlock permission (long push for 3secs, toggle status)
- ii. Double Lock : Set (or Reset) unlock prohibition (long push for 3secs, toggle status)
- iii. Z-Wave Settings
 - Inclusion / Exclusion : Set inclusion or exclusion (long push for 3secs, toggle status)
 - Z-Wave reset : Z-Wave locally reset (push 3 times fast)
- iv. Function Settings : Enter (or Exit) menu mode (long push for 3secs, toggle status)

B. Outer Side Button

- i. Volume Settings : Set buzzer volume up and down
- ii. Delete Access Code : Delete master password
- iii. Add Access Code : Add or fix master password
- iv. Reset : Set factory default reset
- v. Bluetooth : Connect to Bluetooth in Smart phone application
- vi. Master Key : Use the stick key to open the door (Optional key)
- vii. Settings, Input : Use it to set all outer button functions

5. How to Set Functions

A. Adding access codes



- i. Press “Settings, Input” button in the inner side for 3 seconds.
- ii. Press “③ - Add Access Code” button in the outer side.
- iii. Enter master password (6~12 digits) and press the “*” button.
- iv. Re-Enter master password and press the “*” button.

* The master password is only manually added.

* Initial master password is '123450'. And this password cannot be registered. Please register with a different number.

B. Deleting access codes

- i. Press “Settings, Input” button in the inner side for 3 seconds.
- ii. Press “② - Delete Access Code” button in the outer side.
- iii. Enter current master password and press the “*” button.

* The master password is only manually deleted.

C. Factory default setting

- i. Press “Settings, Input” button in the inner side for 3 seconds.
- ii. Press “④ - Reset” button in the outer side.
- iii. Enter “1004” and press the “*” button.

* All door lock setting information is initialized.

D. Volume settings

- i. Press “Settings, Input” button in the inner side for 3 seconds.
- ii. Press “① - Volume Settings” button in the outer side.
- iii. Press up (button ④) or down (button ⑤) and press the “*” button.

E. Activating (or deactivating) the open door settings

- i. Press “Open Door” button in the inner side for 3 seconds. (toggle status)

F. Activating (or deactivating) the double lock

- i. Press “double Lock” button in the inner side for 3 seconds. (toggle status)

G. Z-Wave inclusion

- i. Press “Z-Wave Settings” button in the inner side for 3 seconds. (toggle status)
- ii. Then “Blue LED” will turn on.
- iii. When the inclusion is complete, the led is turned off and the beep sounds. Please wait.
* Beep : Success (Beep), Fail (Beep~)

* The inclusion results can be found in the controller or in your app.

H. Z-Wave exclusion

- i. Press “Z-Wave Settings” button in the inner side for 3 seconds. (toggle status)
- ii. Then “Blue LED” will turn on.
- iii. When the exclusion is completed, the led is turned off and the beep sounds. Please wait.
* Beep : Success (Beep Beep), Fail (Beep~)

* The exclusion results can be found in the controller or in your app.

I. Z-Wave device reset locally

- i. Press “Z-Wave Settings” button in the inner side 3 times within 1.5 seconds.
- ii. Then “White LED” will turn on.
- iii. When the “network reset locally” is complete, the led is turned off. Please wait.
* Beep : Success (Ring), Fail (Beep~)

* Z-Wave network information is initialized.

* Please use this procedure only when the network primary controller is missing or otherwise inoperable.

J. Enable (or disable) bluetooth (optionally)

- i. Press “Settings, Input” button in the inner side for 3 seconds.
- ii. Press “⑤ - Bluetooth” button in the outer side.
- iii. Press enable (button ⑤) or disable (button ④) and press the “*” button.

* Bluetooth (linked with App) function can be enabled/disabled in door lock.

* Initially, the Bluetooth function is disabled. After enabling it, the smartphone's app functions can be used.

6. Z-Wave Specifications

A. Command Class Support

- i. Mandatory CC Support
 - Z-Wave plus info (V2)

- Manufacturer specific (V2)
- Security (V1)
- Device reset Locally (V1)
- Battery (V1)
- Power level (V1)
- Version(V2)
- Door Lock (V2)
- User Code (V1)
- Association (V2)
- Association Group Info (V1)
- ii. Recommended CC Support
 - Notification (V4)
 - Firmware update meta data (V2)

7. Details of Support Command Class

A. Z-Wave plus info (V2)

- i. Z-Wave Plus Version : 02
- ii. Role Type : Listening Sleeping Slave (LSS)
- iii. Node Type : Z-Wave Plus Node

B. Manufacturer Specific (V2)

- i. Manufacturer ID : 029F
- ii. Product Type ID : 0x0003
- iii. Product ID : 0x0001

C. Version (V2)

- i. Z-Wave Library Type : 0x03
- ii. Z-Wave Protocol Version : 0x04
- iii. Z-Wave Protocol Sub Version : 0x36
- iv. Firmware 0 Version : 0x01
- v. Firmware 0 Sub Version : 0x12
- vi. Hardware Version : 0x01
- vii. Number of firmware targets : 0x01
 - Firmware Version : 0x01
 - Firmware Sub Version : 0x02

D. Door Lock (V2)

i. Only support “Unsecure(0x00)” : After 5 seconds after unlock, auto lock is always done.

E. User Code (V1)

i. Doorlock will accept maximum 8 pin codes that 4~10 digits in length.

- Supported users : 8
- User Type : Pin code
- ID Range : 0x02~0x08 (0x01 is Master Password)

F. Association (V2) & Association Group Information (V1)

i. Lifeline between controller and amadas smart door lock

ii. Supported command classes

- Battery report
- Doorlock operation report
- Notification report
- User code report
- Device reset locally notification

iii. Maximum supported node is 1EA

G. Notification (V4) : Described in below.

8. Detail of Notifications

A. Replacement battery notification : Notify if battery is less than 10%.

i. NOTIFICATION_REPORT

- Notification Status (1byte) : Unsolicited messages(0xFF)
- Notification Type (1bytes) : Power Management(0x08)
- Event (1byte) : Replace battery now(0x0B)

B. Door open/close status notification : Notify if you are using a Mortise assembly

i. NOTIFICATION_REPORT

- Notification Status (1byte) : Unsolicited messages(0xFF)
- Notification Type (1bytes) : Access Control(0x06)
- Event (1byte) : Open(0x16), Closed(0x17)

C. User Access code exceeds code limit notification (If the password entry error occurs five times)

i. NOTIFICATION_REPORT

- Notification Status (1byte) : Unsolicited messages(0xFF)
- Notification Type (1bytes) : Access Control(0x06)
- Event (1byte) : Manually Enter user Access code exceeds code limit (0x13)

D. Manual(or Internal) door open notification

- i. NOTIFICATION_REPORT
 - Notification Status (1byte) : Unsolicited messages(0xFF)
 - Notification Type (1bytes) : Access Control(0x06)
 - Event (1byte) : Closed(0x17), Manual Unlock Operation(0x02)
- E. RF Unlock operation notification
 - i. NOTIFICATION_REPORT
 - Notification Status (1byte) : Unsolicited messages(0xFF)
 - Notification Type (1bytes) : Access Control(0x06)
 - Event (1byte) : Auto Lock Locked Operation(0x09), RF Unlock Operation(0x04)
- F. Keypad(Pin code) Unlock operation notification
 - i. NOTIFICATION_REPORT
 - Notification Status (1byte) : Unsolicited messages(0xFF)
 - Notification Type (1bytes) : Access Control(0x06)
 - Event (1byte) : Auto Lock Locked Operation(0x09), Keypad Unlock Operation(0x06)
 - Event Parameter 1 (1byte) :Master Password(0x01), Family Password(0x02~0x05), Temporary Password(0x06~0x08), Un-Known(0x0A)
- G. User code delete notification
 - i. NOTIFICATION_REPORT
 - Notification Status (1byte) : Unsolicited messages(0xFF)
 - Notification Type (1bytes) : Access Control(0x06)
 - Event (1byte) : All user codes deleted(0x0C), Single user code deleted(0x0D), New user code added(0x0E)
- H. Door auto lock jammed notification
 - i. NOTIFICATION_REPORT
 - Notification Status (1byte) : Unsolicited messages(0xFF)
 - Notification Type (1bytes) : Access Control(0x06)
 - Event (1byte) : Lock Jammed(0x0B)
- 9. Door lock operation & status report
 - A. Door lock status report
 - * To see the door lock status report below, you need to run the DOOR_LOCK_OPERATION_GET command.
 - i. DOOR_LOCK_OPERATION_GET
 - ii. DOOR_LOCK_OPERATION_REPORT
 - Door Lock Mode (1byte) : DOOR_MODE_UNSEC(0x00), DOOR_MODE_SECURED(0xFF)

- Door Handles Mode (1byte) : Outside(Active:0x10, Inactive:0x00), Inside(Active:0x01)
- Door Condition (1byte) : Bit(0)-Door Open(0x00), Door Closed(0x01)
 - : Bit(1)-Bolt Locked(0x00), Bolt Unlocked(0x02)
 - : Bit(2)-Latch Open(0x00), Latch Closed(0x04)
 - : Bit(3~7)-Reserved
- Lock Timeout Minutes : No unlocked period(0xFE)
- Lock Timeout Seconds : No unlocked period(0xFE)

B. Unlock RF(Z-Wave) operation

i. DOOR_LOCK_OPERATION_SET

- Door Lock Mode (1byte) : DOOR_MODE_UNSEC(0x00)
- * AMADAS Lever lock is not support "DOOR_MODE_SECURED(0xFF)"

ii. NOTIFICATION_REPORT

- Notification Status (1byte) : Unsolicited messages(0xFF)
- Notification Type (1bytes) : Access Control(0x06)
- Event (1byte) : Auto Lock Locked Operation(0x09), RF Unlock Operation(0x04)

C. Add/delete Family password and Temporary password

i. USER_CODE_SET

- User Identifier (1byte) : Family Id Only (0x02~05:Family Id), Temporary Password(0x06~0x08)
- User ID Status (1byte) : USER_ID_AVAILABLE(0x00), USER_ID_OCCUPIED(0x01), USER_ID_RESERVED(0x02), USER_ID_NO_STATUS (0xFE)
- User Code (Max 10bytes) : 4~10 digits (Available number - '0', '1', '2', '3', '4', '5')
- * Master Id(0x01) can not be controlled.

ii. NOTIFICATION_REPORT

- Notification Status (1byte) : Unsolicited messages(0xFF)
- Notification Type (1byte) : Access Control(0x06)
- Event (1byte) : Single user code deleted(0x0D), New user code added(0x0E)