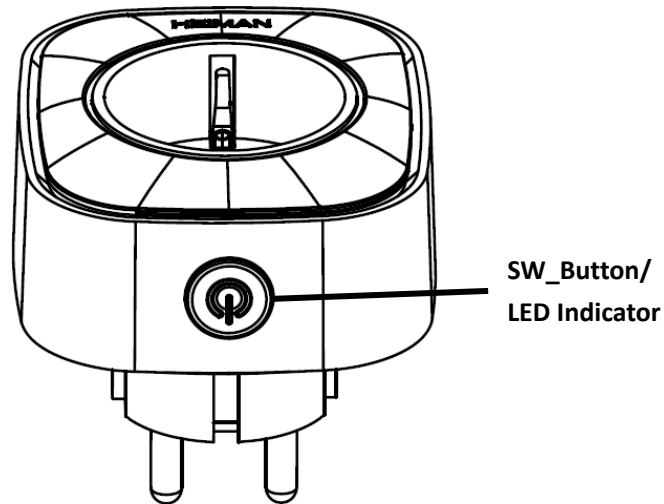


HS2SK-Z

Z-Wave Device Guide Document



Product description

-Product is S2 Unauthenticated devices.

-This device is a security enable Z-Wave Plus product that is able to use encrypted Z-Wave Plus messages to communicate to other security enable Z-Wave Plus products.

Note: A "Security Enable Z-Wave Controller" must be used in order to fully utilize this function.

1-Device ADD for Inclusion

- Click [Add] icon in Z-Wave Controller.
- Press the SW_Button 3 times within 1.5s, Blue LED is Blinking 3 times within 1 second.
- If add Process is successful, Blue LED will turn off.

2-Device Remove for Exclusion

- Click [Remove] icon in Z-Wave Controller.
- Press the SW_Button 3 times within 1.5s
- If remove Process is successful, blue LED is Blinking 6 times, then turn off.

3-Device normal mode

Press button to power plug on and Blue LED turns on, press button again to power plug off and blue LED turns off. Plug reports power consumption(Unit: KWH) every 60s seconds when plug is outputting power. A power(W) change of 2 watts is reported immediately.

4-Device Factory Reset

- Long press SW_Button at least 10 seconds in HS2SK-Z.
- Device Reset Locally notification is Transmitted.
- Please use this procedure only when the network primary controller is missing or otherwise inoperable.

5-Association & Association Group Information

- Lifeline between controller and HS2SK-Z

- Maximum supported node is 5
- Association Group description
Association group 1: Lifeline association group
Include command classes: Switch Binary report, Meter Report and Device Reset Locally notification.

6-Binary Switch Report and Meter Report

- Press **SW_Button**, Switch Report is transmitted
Switch TYEP

Switch Type	Value	Stae
Binary Switch Report	0x00	OFF
	0xFF	ON

Meter Type

Meter Type	Assortment	Stae
Electric meter	KWH	0X00
	WATT	0X02

7-Basic Command Class description

- Support command class version is 2 .
- Gateway can set device turn on and shutdown
- Press **SW_Button**, Switch Report is transmitted
- Binary Switch Report is 0xff to turn on
- Binary Switch Report is set to 0x00 to shutdown

Basic Type	Value	Status
Basic Set	0x00	OFF
	0xFF	ON

8-Devices from multiple manufacturers in one network

- This product can be included and operated in any Z-Wave network with other Z-Wave certified devices from other manufacturers and/or other applicants. All non-battery operated nodes within the network will act as repeaters regardless of vendor to increase reliability of the network.

9-Z-Wave Specifications

9.1-Device Type : [On/Off Power Switch](#)

9.2-Role Type : AOS (Always on slave)

9.3-Command Class Support/Control

9.3.1-Z-Wave plus InfoVersion 2

9.3.2-Switch Binary Version 1

9.3.3-Association Version 2

9.3.4- Multi Channel Association Version 3

9.3.5-Association Group Info Version 1

- 9.3.6-Transport Service Version 2
- 9.3.7-Version Version 3
- 9.3.8-Manufacturer Specific Version 2
- 9.3.9-Device Reset Locally Version 1
- 9.3.10-Powerlevel Version 1
- 9.3.11-Security 2 Version 1
- 9.3.12-Supervision Version 1
- 9.3.13-Meter Version 4

9.4-The below listed Command Class are all Supported the Security S2

- 9.4.1-Switch Binary Version 1
- 9.4.2-Association Version 2
- 9.4.3Multi Channel Association Version 3
- 9.4.4-Association Group Info Version 1
- 9.4.5-Version Version 3
- 9.4.6-Manufacturer Specific Version 2
- 9.4.7-Device Reset Locally Version 1
- 9.4.8-Powerlevel Version 1
- 9.4.9-Meter Version 4

10-Technical Specifications

Model No.	HS2SK-Z
RF frequency	868.40- 869.85 MHz
RF operating distance	Up to 100m outdoor line of sight Up to 40m indoor
Temperature	-10°C~ 50°C
Humidity	95% max
Weight	148g