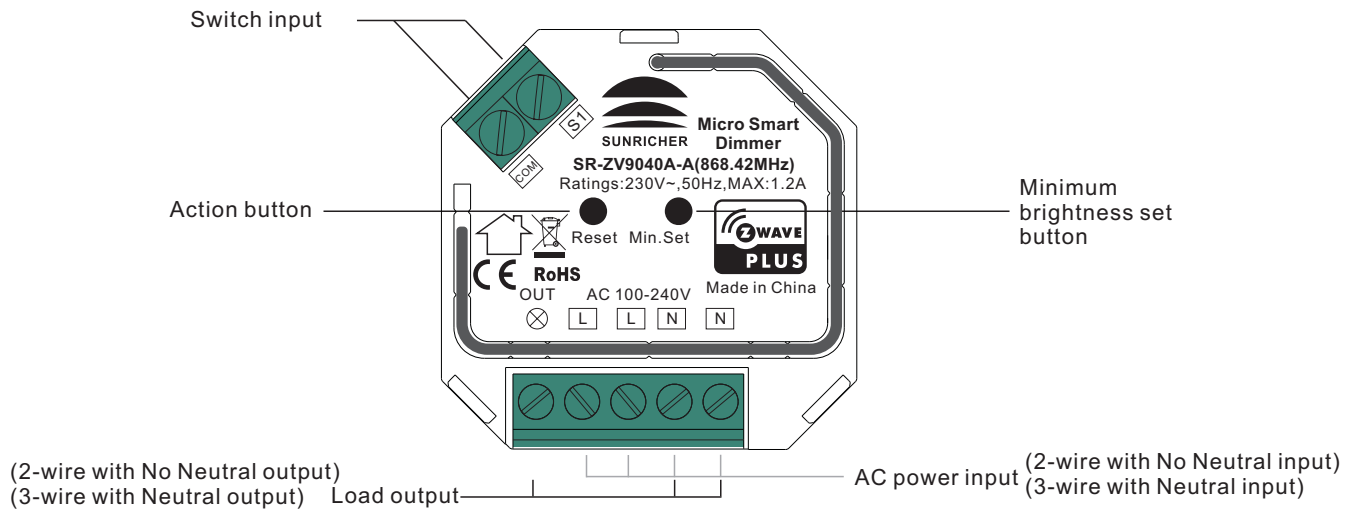


# Z-Wave Micro Smart Dimmer SR-ZV9040A-A

## Function Introduction



## Safety & Warnings

- DO NOT install with power applied to device.
- DO NOT expose the device to moisture.

## Quick Start

How to install:

- Step 1: power on the Z-Wave Micro Smart dimmer.
- Step 2: activate inclusion mode on your Z-Wave controller.
- Step 3: activate inclusion mode of the dimmer by triple press the action button on the dimmer. The dimmer will be included to Z-Wave network.

## Product Description

The micro smart dimmer is a Z-Wave device designed to work with various types of light sources. It may be connected to two-wire or three-wire configuration so it can operate with or without neutral lead. The dimmer can switch or dim connected light source either through Z-Wave devices or through the wall switch connected directly to it. The smart dimmer is equipped with an algorithm of smart light source detection which makes configuration easier and ensures high compatibility of the device. It may be used as a switch with non-dimmable light sources (in 3-wire connection).

The dimmer can be included and operated in any Z-Wave network with other Z-Wave certified devices from other manufacturers and/or other applications. All non-battery operated nodes within the network will act as repeaters regardless of vendor to increase reliability of the network.

The encryption mode that the dimmer supports is S2 Unauthenticated. When the dimmer is being included into a Z-Wave network, you can use your primary controller/gateway to enable encryption mode or disable encryption. (The primary controller/gateway shall support encryption mode configuration). The dimmer supports OTA and can update firmware wirelessly.

**Main Features:**

- Compatible with any Z-Wave or Z-Wave+ Controller,
- Controlled by Sunricher EasyHome or any other Z-Wave controller,
- Advanced microprocessor control,
- Implemented algorithm of smart light source detection,
- Auto-adjustment of the appropriate control mode to connected load,
- Active power and energy metering functionality,
- Soft start function,
- Memory of the last lighting level settings,
- Works with various types of switches – momentary, toggle, three-way, etc.
- Active element: semiconductor electronic switch,
- To be installed in wall switch boxes of dimensions allowing for installation, conforming to provisions of applicable regulations,
- The Bypass is an extension unit.

**As a dimmer it operates under the following loads:**

- Conventional incandescent and HV halogen light sources
- ELV halogen lamps and dimmable LED bulbs (with electronic transformers)
- MLV halogen lamps (with ferromagnetic transformers)
- Dimmable LED bulbs
- Dimmable compact fluorescent CFL tube lamps
- Supported dimmable light sources (power factor > 0.5) with minimal power of 5VA using the Bypass (depending on the type of load)

**Without dimming function it may work with:**

- Compact fluorescent CFL tube lamps with electronic ballast
- Fluorescent tube lamps with electronic ballast
- LED bulbs (power factor > 0.7)
- Supported light sources (power factor > 0.5) with minimal power of 5VA using the Bypass (depending on the type of load)

**The micro smart dimmer uses different operating modes to control following types of loads:**

- "Trailing edge" for resistive loads
- "Trailing edge" for capacitive loads
- "Leading edge" for inductive loads

**Product Data**

Z-Wave Frequency	868.42 MHz (EU)
Input Voltage	AC100-240V
Output Voltage	AC100-240V
Output Current	1.2A max.
Operating temperature	0 to 40°C
Relative humidity	8% to 80%
Dimensions	45.5x45x20.3mm

## Installation Guide

Please read carefully the enclosed user manual before installation of the in-wall dimmer, in order to ensure an error-free functioning.

### Minimum Brightness Setting Button

1. Press and hold down the button for over 3 seconds: current brightness will be set as minimum brightness if it is lower than 50%. Minimum brightness will be reset to 1% if current brightness is higher than 50%.
2. Short press the button twice: the load's brightness will be set to 99%.

**ATTENTION:** Prior to the assembly of the product, the voltage network has to be switched OFF and ensured against re-switching.

### Inclusion (adding to a Z-Wave network)

1. Set primary controller/gateway into inclusion mode (Please refer to your primary controller's manual on how to turn your controller into inclusion).
2. Power on the in-wall dimmer and set it into inclusion mode. There are two methods to set the in-wall dimmer into inclusion mode:
  - 1)Repower on the dimmer, it will be set into inclusion mode automatically, and waiting to be included.
  - 2)Triple press the action button on the dimmer, it will set the dimmer into inclusion mode.

The connected light will stay solid on for 3 seconds to indicate successful inclusion.

### Exclusion (removing from a Z-Wave network)

There are two exclusion methods:

Method 1: Exclusion from the primary controller/gateway as follows:

1. Set the primary controller/gateway into exclusion mode (Please refer to your primary controllers manual on how to set your controller into exclusion).
2. Triple press the action button, the dimmer will be set to exclusion mode, and waiting to be excluded, then the dimmer will be excluded from the network.

Method 2: Factory reset the dimmer will force it to be excluded from a network. (please refer to the part "Factory Reset" of this manual)

Note: Factory reset is not recommended for exclusion, please use this procedure only if the primary controller/gateway is missing or otherwise inoperable.

### Factory Reset

Press and hold down the action button for over 10 seconds, the dimmer will be reset to factory defaults.

### Association

Z-Wave devices control other Z-Wave devices. The relationship between one device controlling another device is called association. In order to control a different device, the controlling device needs to maintain a list of devices that will receive controlling commands. These lists are called association groups and they are always related to certain events (e.g. button pressed). In case the event happens all devices stored in the respective association group will receive a common wireless command.

### Association Groups:

Association Groups	Group Name	Max Nodes	Description
Group 1	Lifeline	5	<ol style="list-style-type: none"> <li>1. When press and hold down "Reset" button for 10S to reset the dimmer, send "Device Reset Locally Notification CC" to associated devices of this group to report factory reset information.</li> <li>2. When load state changes, send "Basic Report CC" to associated devices of this group.</li> <li>3. When a load over current is detected, send "Over-current detected" to Lifeline.</li> <li>4. When a mains voltage drop is detected, send "Voltage drop/drift" to Lifeline.</li> <li>5. When over temperature is detected, send "Emergency shutoff status" to Lifeline.</li> </ol>

### Set and unset associations:

(Note: All association information will be cleared automatically once the dimmer is excluded from a network.)

Set association by operating primary controller/gateway to send packets to the dimmer:

The primary controller/gateway sends packets to the dimmer using "Command Class ASSOCIATION"

### Operating the device

Short press the action button on the dimmer to switch ON/OFF the load.

### Node Information Frame

The Node Information Frame is the business card of a Z-Wave device. It contains information about the device type and the technical capabilities. The inclusion and exclusion of the device is confirmed by sending out a Node Information Frame. Beside this it may be needed for certain network operations to send out a Node Information Frame.

How to send out Node Information Frame:

When the dimmer is set to inclusion/exclusion mode again, it will send out Node Information Frame, there are 2 kinds of operation as follows:

1. triple press the action button, the dimmer will be set to inclusion/exclusion mode, then send out Node Information Frame.

2. When the dimmer is under inclusion mode, there are two kinds of operation:

1) Triple press inclusion/exclusion button, the dimmer will be set to inclusion mode again, and send out Node Information Frame.

2) Power off and power on the dimmer, it will be set to inclusion mode automatically, and send out Node Information Frame.

### Technical Data

Wireless Range	up to 100 m outside, on average up to 40 m inside buildings
SDK	6.71.03
Explorer Frame Support	Yes
Device Type	Light Dimmer Switch
Generic Device Class	GENERIC_TYPE_SWITCH_MULTILEVEL
Specific Device Class	SPECIFIC_TYPE_POWER_SWITCH_MULTILEVEL
Role Type	Always On Slave (AOS)
Routing	Yes

### SUPPORTED COMMAND CLASS

Node Info		Security Command Supported Report	
COMMAND_CLASS_ZWAVEPLUS_INFO	V2	COMMAND_CLASS_MANUFACTURER_SPECIFIC	V2
COMMAND_CLASS_TRANSPORT_SERVICE	V2	COMMAND_CLASS_VERSION	V2
COMMAND_CLASS_SECURITY	V1	COMMAND_CLASS_SWITCH_MULTILEVEL	V4
COMMAND_CLASS_SECURITY_2	V1	COMMAND_CLASS_SCENE_ACTIVATION	V1
COMMAND_CLASS_SUPERVISION	V1	COMMAND_CLASS_SCENE_ACTUATOR_CONFIG	V1
		COMMAND_CLASS_METER	V3
		COMMAND_CLASS_NOTIFICATION	V8
		COMMAND_CLASS_CONFIGURATION	V1
		COMMAND_CLASS_ASSOCIATION_GRP_INFO	V3
		COMMAND_CLASS_ASSOCIATION	V2
		COMMAND_CLASS_FIRMWARE_UPDATE_MD	V4
		COMMAND_CLASS_POWERLEVEL	V1
		COMMAND_CLASS_DEVICE_RESET_LOCALLY	V1

### Notification Command Class

#### Voltage drop/drift

The dimmer supports Voltage drop/drift, when a mains voltage drop is detected, the dimmer will send out Voltage drop/drift to Lifeline.

Notification Type	Notification
Power management (0x08)	Voltage drop/drift (0x05)

**Over-current detected**

The dimmer supports Over-current detected, when over current of the load is detected(current over 1.5A continuously for over 20 seconds), the dimmer will send out Over-current detected to Lifeline.

Notification Type	Notification
Power management (0x08)	Over-current detected (0x06)

**Emergency shutoff**

The dimmer supports Emergency shutoff, when inside temperature is over 90°C and detected by the built-in thermistance, the dimmer will send out Emergency shutoff status to Lifeline.

Notification Type	Notification
System (0x09)	Emergency shutoff status (0x07)

**Configuration Command Class**

Parameter	Size	Description	Default Value
2	1	Info: Saving load state before power failure 0 – shutoff load 1 – turn on load 2 – save load state before power failure	2
3	1	Info: Enable/disable to send the basic report to the Lifeline when the load state changed (When value set as 1, re-power on the dimmer, it will send Basic report automatically) 0 – Disable to send Basic report 1 – Enable to send Basic report	1

4	1	<p>Default fade time (unit is second, this value has the same function as Duration of Multilevel)</p> <p>Valid value: 0~127</p> <table border="1" data-bbox="479 431 1218 614"> <thead> <tr> <th>Value</th> <th>Description</th> </tr> </thead> <tbody> <tr> <td>0x00</td> <td>Instantly</td> </tr> <tr> <td>0x01..0x7F</td> <td>1 second (0x01) to 127 seconds (0x7F) in 1 second resolution.</td> </tr> </tbody> </table>	Value	Description	0x00	Instantly	0x01..0x7F	1 second (0x01) to 127 seconds (0x7F) in 1 second resolution.	1
Value	Description								
0x00	Instantly								
0x01..0x7F	1 second (0x01) to 127 seconds (0x7F) in 1 second resolution.								
5	1	<p>Setting minimum brightness value</p> <p>Valid value: 0~50, the bigger the value is, the higher the load's minimum brightness is</p>	0						
6	1	<p>Setting maximum brightness value</p> <p>Valid value: 0~100</p>	100						
7	1	<p>Choose MOSFET driving type</p> <p>0 – trailing edge</p> <p>1 – leading edge</p>	0						
8	1	<p>External switch type</p> <p>0 – Push button switch</p> <p>1 – normal on/off switch</p> <p>2 – 3-way switch</p>	0						
9	1	<p>Added to and removed from a network through external switch (when enables this function, triple press the external switch within 1.5 seconds to be added to or removed from a network)</p> <p>0 - disable</p> <p>1 - enable</p>	1						

10	1	<p>Enable/disable to detect load after re-power on (detect load type, minimum brightness, maximum brightness)</p> <p>0 - disable</p> <p>1 - enable to detect every time after re-power on</p> <p>2 - enable to detect only after first re-power on</p> <p>Note: When the device does not belong to any network, load detection will be enabled every time after re-power on. When the device has already been added to a network, load detection will be disabled.</p>	0
11 (read only)	1	<p>Wiring type</p> <p>0 - unknown</p> <p>1 - 2 Wire With No Neutral</p> <p>2 - 3 Wire With Neutral</p>	0
12 (read only)	1	<p>Load type</p> <p>0 - unknown</p> <p>1 - resistive</p> <p>2 - inductive</p> <p>3 - capacitive</p>	0
13	1	<p>Enable/disable over current protection (over 1.5A for 20 seconds continuously)</p> <p>0 – disable</p> <p>1 – enable</p>	1
14	2	<p>Power automatic report absolute threshold, unit is W</p> <p>When power changes above the absolute threshold, immediately report current power value</p>	10
15	1	<p>Power automatic report percentage threshold, unit is %</p> <p>When power changes above the percentage threshold, immediately report current power value</p>	20



21	4	Power metering automatic report time cycle, unit is second Valid time cycle value: 5~2678400	600 (10 minutes)
22	4	Energy metering automatic report time cycle, unit is second Valid time cycle value: 5~2678400	1800 (30 minutes)
23	4	Voltage metering automatic report time cycle, unit is second Valid time cycle value: 5~2678400	3600
24	4	Current metering automatic report time cycle, unit is second Valid time cycle value: 5~2678400	3600

## Wiring Diagram

### Notes for the diagrams:

**L** - terminal for live lead


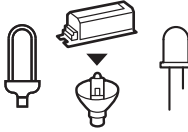

**N** - terminal for neutral lead

**Out** - output terminal of the dimmer (controlling connected light source)

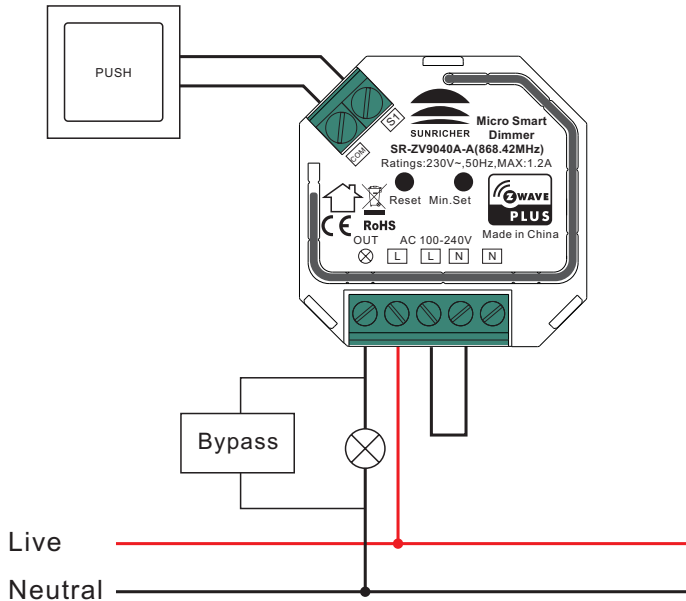
**S1** - terminal for switch (has the option of entering the device in inclusion/exclusion mode)

**COM** - terminal for grounding to the switch connected to the dimmer

### Compatible Load Types

Supported load types		100-240V~
	<b>Resistive loads</b> Conventional incandescent and halogen light sources	Max. 288W
	<b>Capacitive loads</b> Fluorescent tube lamp (compact / with electronic ballast), electronic transformer, LED	Max. 200W
	<b>Inductive loads</b> Ferromagnetic transformers	Max. 220W

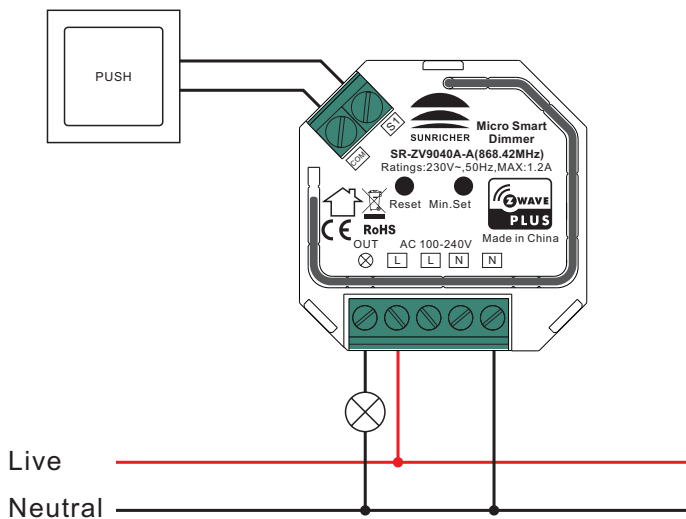
(1) 2-Wire Connection With No Neutral Lead



**NOTE:** Switch connected to the S1 terminal activates the basic functionality of the dimmer (turning the light on/off, dimming) and starts the inclusion/exclusion mode (Add/Remove).

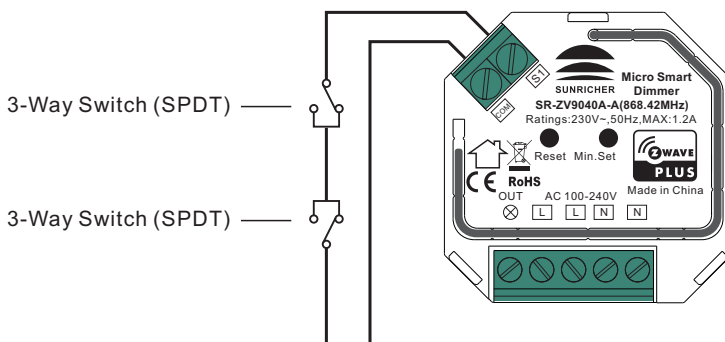
The Bypass is a device designed to work with the micro smart dimmer. It should be used in case of connecting LED bulbs or energy saving compact fluorescent lamps. The Bypass prevents flickering of the LED lights and glowing of the turned off compact fluorescent lamps. In the case of 2-wire connection, the Bypass allows to reduce minimum power of load required by the dimmer for correct operation. The Bypass provides powering of the dimmer in case of controlling the low loads of minimum power down to 5VA (for  $\cos\phi > 0.5$ ).

(2) 3-Wire Connection With Neutral Lead



**NOTE:** Switch connected to the S1 terminal activates the basic functionality of the dimmer (turning the light on/off, dimming) and starts the inclusion/exclusion mode (Add/Remove).

(3) 3-Way Switch Connection



(4) Momentary Wall Switch Connection

