

AC137

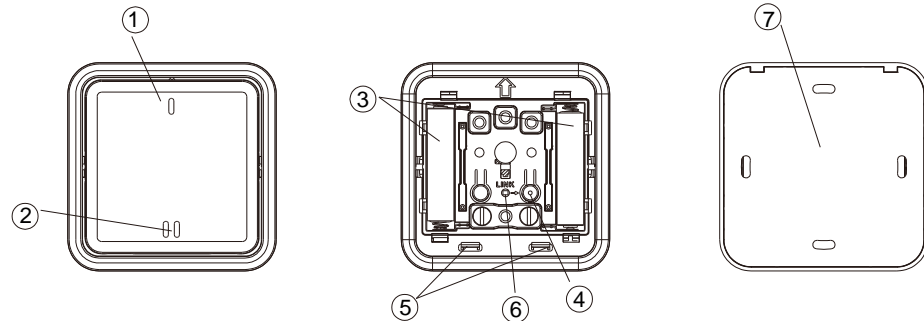
Wall Switch-On/Off Button

The AC137 Wall Switch-On/Off Button is a Z-Wave Plus™ enabled device and is fully compatible with any Z-Wave™ enabled network. The device can be set up in a Z-Wave network to communicate directly with other end devices such as lighting controllers, or to report directly a Z-Wave controller (usually a gateway).

This product supports the S2 security protocol that uses encrypted Z-Wave Plus messages to communicate to other security-enabled Z-Wave Plus products. A security-enabled Z-Wave Plus Controller must be used in order to fully utilize the security features of this product.

The On/Off Button is a portable wireless switch designed to control the On/Off status of other associated devices thru the Z-Wave™ controller. After receiving the signals emitted by the On/Off Button, the Z-Wave™ controller can then give commands or operate according to its own settings. Its great compatibility with Z-Wave™ products makes it suitable for smart home cloud based platforms.

Product Overview



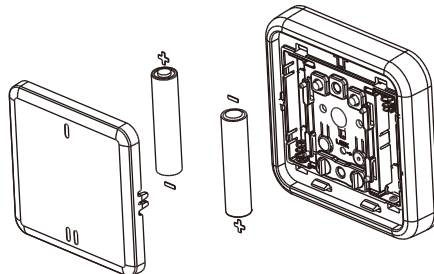
Front View			
①	Button 1	②	Button 2
Inside View			
③	Battery Compartments	④	Link Button
⑤	Rear Cover Latch	⑥	LED Indicator
Rear View			
⑦	Rear Cover		

Adding to Z-Wave™ Network

Auto Inclusion

The product supports Auto Inclusion feature where it will automatically enter Inclusion mode when first powered up after a factory reset.

1. Gently lever the bottom edge of the front cover to detach it from the main body.
2. Put a Z-Wave Controller into inclusion mode.
3. Insert 2 AAA-size 1.5V alkaline batteries to battery compartment with the correct polarity. The LED on the device should turn ON.
4. The Inclusion process should be completed when the LED turns off.

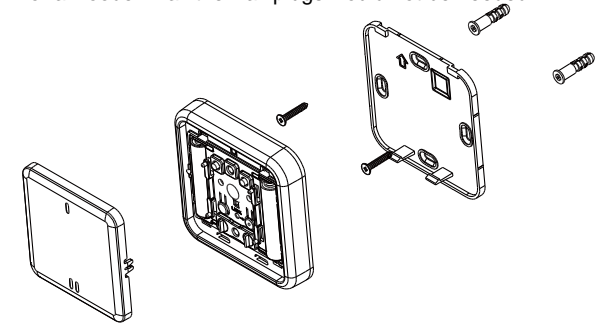
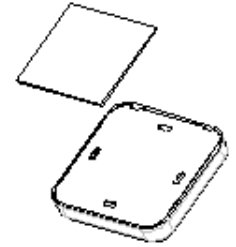


Note: If Auto Inclusion fails, refer to the Troubleshooting section regarding Manual Inclusion.

Installation

The On/Off Button can be installed on the wall either by using the supplied double-sided tapes or the screws:

1. Using the double-sided tape: first peel one side of the tape and place the sticky side onto the back of the On/Off Button. Then peel the other side of the tape and attach the unit onto a proper location on the wall.
2. Using the screws:
 - i. Detach the rear cover by removing the front cover and then pressing the rear cover latch (see item ⑤ in Product Overview).
 - ii. Use the rear cover as a template to mark on the wall the positions of two screws. The marks should be in horizontal positions and the distance between the two marks is 60mm.
 - iii. Drill the holes using an appropriate size drill bit. Insert the supplied plastic wall plugs first for a cement wall. For a wooden wall the wall plugs would not be needed.



- iv. Position the rear cover on the wall and turn the two screws into the wall (or wall plugs). DO NOT fasten too tightly as the rear cover might be damaged. Then replace the main body and the front cover.

Note: Ensure the unit is installed within transmission range of the gateway using the test above.

Maintenance

1. Do not put the unit in humid or dusty places or facing direct sunlight.
2. Do not place the unit near combustible substances or any source of heat, e.g. fires, radiators, boilers etc.
3. The suitable ambient temperature for the unit is -10°C - +40°C.

Low Battery: The On/Off Button will inform the Gateway when its battery runs low.

Programming

Z-Wave Group

The unit supports either one of two Z-Wave Association Groups:

Group 1: Association with 1 Controller node.

Group 2: Association with 4 nodes (i.e. end devices such as smart plugs and other lighting controllers). This allows the On/Off module to receive commands directly from these end devices without the participation of the controller.

Group 3: Association with 4 nodes (i.e. end devices such as smart plugs and other lighting controllers). This allows the On/Off module to receive commands directly from these end devices without the participation of the controller.

Group 1 commands:

- When the unit is powered for the first time, the unit will send a Notification Report to the node of Group 1.
- When the battery level of the unit drops to an unacceptable level, the unit will emit Battery report to the nodes of Grouping 1.
- When performing Factory Reset the unit will send Device Reset Locally Notification to the node of Group1.
- When press Button 1 or Button 2, the unit will send Central Scene Notification to the node of Group 1.

Group 2 commands:

- When device is pressed one time by Button 1, the unit will send BASIC SET ON command which contains a value that is adjustable, to the nodes of Grouping 2.
- When device is pressed two times by Button 1, the unit will send BASIC SET OFF command which contains a value that is adjustable, to the nodes of Grouping 2.

Group 3 commands:

- When device is pressed one time by Button 2, the unit will send BASIC SET ON command which contains a value that is adjustable, to the nodes of Grouping 3.
- When device is pressed two times by Button 2, the unit will send BASIC SET OFF command which contains a value that is adjustable, to the nodes of Grouping 3.

Role Type	Node Type	Installer Icon	User Icon
Slave Sleeping report	Z-Wave Plus node	Wall Controller Device Type	Wall Controller Device Type

Version

Protocol Library	3 (Slave_Enhance_232_Library)
Protocol Version	5.03 (6.71.03)

Association Command Class

Group	Max Node
1	1
2	4
3	4

Manufacturer

Manufacturer ID	Product Type	Product ID
0x0060	0x000A	0x0003

AGI (Association Group Information) Table

Group	Profile	Command Class & Command (List) N bytes	Group Name(UTF-8)
1	General	Notification Report Battery Report Device Reset Locally Notification Central Scene	Lifeline
2	Control	Basic Set	Button 1
3	Control	Basic Set	Button 2

Notification

Event	Type	Event	Event Parameters Length	Event Parameters
The power is applied for the first time	0x08	0x01	null	

Battery

Battery Report (value)	Description
20~100	Battery Level %
0xFF	Low Battery

Central Scene

Event	Key Attributes	Scene Number	Basic Set
Key Press 1 time	0x00	0x01 / 0x02	On (Group 2/3)
Key Released	0x01	0x01 / 0x02	
Key Held Down	0x02	0x01 / 0x02	
Key Press 2 times	0x03	0x01 / 0x02	Off (Group 2/3)

Command Classes

- COMMAND_CLASS_ZWAVEPLUS_INFO_V2
- COMMAND_CLASS_ASSOCIATION_V2 *
- COMMAND_CLASS_ASSOCIATION_GRP_INFO *
- COMMAND_CLASS_TRANSPORT_SERVICE_V2
- COMMAND_CLASS_VERSION_V3 *
- COMMAND_CLASS_MANUFACTURER_SPECIFIC_V2*
- COMMAND_CLASS_DEVICE_RESET_LOCALLY*
- COMMAND_CLASS_POWERLEVEL_V1*
- COMMAND_CLASS_BATTERY*
- COMMAND_CLASS_SECURITY
- COMMAND_CLASS_SECURITY_2
- COMMAND_CLASS_SUPERVISION*
- COMMAND_CLASS_FIRMWARE_UPDATE_MD_V4 *
- COMMAND_CLASS_NOTIFICATION_V8*
- COMMAND_CLASS_WAKE_UP_V2*
- COMMAND_CLASS_CENTRAL_SCENE_V3
- COMMAND_CLASS_MULTI_CHANNEL_ASSOCIATION_V3

*Items marked an asterisk are secure command classes.

Wakeup Command Class

The time interval between Wakeup Notification Commands can be set in the Wakeup Command Class based on the range values below:

Minimum Wake Up Interval	600s (10 minutes)
Maximum Wake Up Interval	86400s (1 day)
Default Wake Up Interval	14400s (4 hours)
Wake Up Interval Step Seconds	600s (10 minutes)

Troubleshooting

The table below lists the several steps involved when adding or removing the detector from the Z-Wave network.

Action/Status	Description	LED indication
No node ID	The Z-Wave Controller does not allocate a node ID to the unit.	2-second on, 2-second off For 2 minutes
Auto Inclusion	The power is applied for the first time and no node ID has been stored in the module, or after executing reset.	
Manual Inclusion	1. Put the Z-Wave Controller into inclusion mode. 2. Press the link button 3 times within 1.5 seconds	

	to put the unit into inclusion mode.	
Exclusion	1. Put the Z-Wave Controller into exclusion mode.	
	2. Press the link button 3 times within 1.5 seconds to put the unit into exclusion mode.	
Factory Reset (This procedure should only be used when the controller is inoperable.)	1. Press the link button 3 times within 1.5 seconds to put the unit into exclusion mode.	
	2. Within 1 second of step 1, press the link button again and hold for 5 seconds.	
	3. Node ID is excluded. The device reverts to factory default state.	2-second on, 2-second off For 2 minutes
× Failed or successful results in including/excluding the ID can be viewed on the Z-Wave Controller.		

www.everspring.com
50 Sect. 1 Zhonghua Rd Tucheng
NewTaipeiCity 236 Taiwan..

Note: If you are connecting this unit to a Z-wave Controller that utilizes the S2 security protocol, you may be asked to enter a 5 digit Device Specific Key (DSK) that is unique to each unit by your controller. This can be found in one of two places:

- on the QR code label on the back of the unit
- on the insert card inside the packaging

Table below lists typical problems encountered:

Symptom	Possible Cause	Recommendation
Device does not work	Battery is not fitted properly or run out of battery power.	Check if batteries are fitted or replace a new battery.
Cannot carry out inclusion and association	Device has been paired to other Z-Wave controller.	1. Perform Exclusion from other controller first then carry out inclusion with new controller. 2. Perform Factory Reset on device and then carry out Inclusion with new controller
	Device is out of range.	1. Relocate the controller closer to the unit. 2. Install a Z-Wave repeater such as smart plugs or other AC devices that can operate as a Repeater.

Specifications

Battery Type	AAA Battery x2
Battery Life	1 year*
Transmitting Range	Up to 100 meters line of sight
Frequency Range	EU: 868.42HMz

Specifications are subject to change without notice

*measured at 10 triggers per day



Warning:

Do not dispose of electrical appliances as unsorted municipal waste, use separate collection facilities. Contact your local government for information regarding the collection systems available. If electrical appliances are disposed of in landfills or dumps, hazardous substances can leak into the groundwater and get into the food chain, damaging your health and well-being. When replacing old appliances with new ones, the retailer is legally obligated to take back your old appliance for disposal at least for free of charge.