

EVALOGIK™

ZW15 Siren Box



FCC/IC

Federal Communications Commission (FCC) Statement
FCC Caution: Any changes or modifications not expressly approved by the party responsible for compliance could void the user's authority to operate this equipment.
This device Operation is subject to the following two conditions: (1) This device may not cause harmful interference, and (2) this device must accept any interference received, including interference that may cause undesired operation.
NOTE: This equipment has been tested and found to comply with the limits for a Class B digital device, pursuant to Part 15 of the FCC Rules. These limits are designed to provide reasonable protection against harmful interference that this equipment generates, uses and can radiate radio frequency energy and, if not installed and used in accordance with the instructions, may cause harmful interference to radio communications. However, there is no guarantee that interference will not occur. If this equipment does cause harmful interference to radio or television reception, which can be determined by turning the equipment off and on, the user is encouraged to try to correct the interference by one or more of the following measures: Reorient or relocate the receiving antenna. Increase the separation between the equipment and receiver. Connect the equipment into an outlet on a circuit different from that to which the receiver is connected. Consult the dealer or an experienced radio/TV technician for help. This equipment should be installed and operated with minimum distance 20cm between the radiator and your body.

IC Caution Door window sensor
This device complies with Industry Canada licence-exempt RSS standard(s). Operation is subject to the following two conditions: (1) this device may not cause interference, and (2) this device must accept any interference, including interference that may cause undesired operation of the device.

DECLARATION DE CONFORMITE D'INDUSTRIE CANADA
Ce périphérique a été testé et reconnu conforme aux limites spécifiées dans RSS-210.
Son utilisation est soumise aux deux conditions suivantes :
(1) il ne doit pas provoquer d'interférences gênantes et
(2) il doit tolérer les interférences reçues, notamment celles susceptibles d'en perturber le fonctionnement.



Siren Box

WARRANTY

EVALOGIK Products warrants this product to be free from manufacturing defects for a period of two years from the original date of consumer purchase. This warranty is limited to the repair or replacement of this product only and does not extend to consequential or incidental damage to other products that may be used with this product.

This warranty is in lieu of all other warranties, expressed or implied. Some states do not allow limitations on how long an implied warranty lasts or permit the exclusion or limitation of incidental or consequential damage, so the above limitations may not apply to you.

This warranty gives you specific rights, and you may also have other rights which vary from state to state. If the unit should prove defective within the warranty period.

SPECIFICATIONS

Model: ZW15
Power supply: Adapter 5V1A.
Signal (Frequency): 908.42 MHZ.
Function: 120db siren LED lights alert
Dimension: D=120MM, H=40MM
Website www.nie-tech.com

WARNING

RISK OF FIRE
RISK OF ELECTRICAL SHOCK
RISK OF BURNS
CONTROLLING APPLIANCES:
EXERCISE EXTREME CAUTION WHEN USING Z-WAVE DEVICES TO CONTROL APPLIANCES. OPERATION OF THE Z-WAVE DEVICE MAY BE IN A DIFFERENT ROOM THAN THE CONTROLLED APPLIANCE, ALSO AN UNINTENTIONAL ACTIVATION MAY OCCUR IF THE WRONG BUTTON ON THE REMOTE IS PRESSED. Z-WAVE DEVICES MAY AUTOMATICALLY BE POWERED ON DUE TO TIMED EVENT PROGRAMMING. DEPENDING UPON THE APPLIANCE, THESE UNATTENDED OR UNINTENTIONAL OPERATIONS COULD POSSIBLY RESULT IN A HAZARDOUS CONDITION. FOR THESE REASONS, WE RECOMMEND DO NOT RETURN THIS PRODUCT TO THE STORE THE FOLLOWING:
DO NOT USE Z-WAVE DEVICES TO CONTROL ELECTRIC HEATERS OR ANY OTHER APPLIANCES WHICH MAY PRESENT A HAZARDOUS CONDITION DUE TO UNATTENDED OR UNINTENTIONAL OR AUTOMATIC POWER ON CONTROL

Important safeguards

Pre cautions:

1. Read this manual before attempting to install the device. Take special precautions during installation and use tools and equipment in perfect working order.
2. Do not attempt to disassemble the Siren Box, unless described in the user's manual. There are no user serviceable parts.
Handle with Care – Avoid striking or shaking.
3. Improper use or storage could damage the Siren Box. Modifying or tampering the device or its internal components can cause a malfunction and void the Siren Box's warranty.

Operation

The Siren Box will increase your alarm sound. Use in areas where the alarm sound need more loud, and integrated to the system.

Installation

Turn the Siren Box over and adjust the triangle hang tags into the correct position, now you are ready to install.

Find the place that you would like to hang the Siren Box. Use the screws included for wood, or the screws and anchors included for dry wall mounting.

Low Battery Indicator

The Siren Box offers battery backup using three AAA battery. Remove screws on back and put it into battery holder according to polarity markings. When the battery voltage reaches a low level, the "Low battery" signal will send to controller until battery is replaced.

TO return your device to factory default:

1. Press and hold ADD Button at least 3 seconds while you insert the batteries.
2. Please use this procedure only in the event that the network primary controller is missing or otherwise inoperable.

Adding to Z-Wave network

- 1) Install the batteries. Visual indicator show status (red - device ready for adding, green - device added), please remove device from Z-Wave network firstly.
- 2) Make sure the device is located within direct range of the Z-Wave controller.
- 3) Follow the instructions for your Z-Wave certified controller to include a device from different manufactures to the Z-Wave network.
- 4) Once the controller is ready to include your device, triple click the ADD Button located on Siren Box.
- 5) Siren Box will be detected and added in the Z-Wave network.

Removing from Z-Wave network

- 1) Follow the instructions for your Z-Wave certified controller to exclude a device from the Z-Wave network.
- 2) Once the controller is ready to Exclude your device, triple click the ADD Button to exclude it from Z-Wave network.

Note:

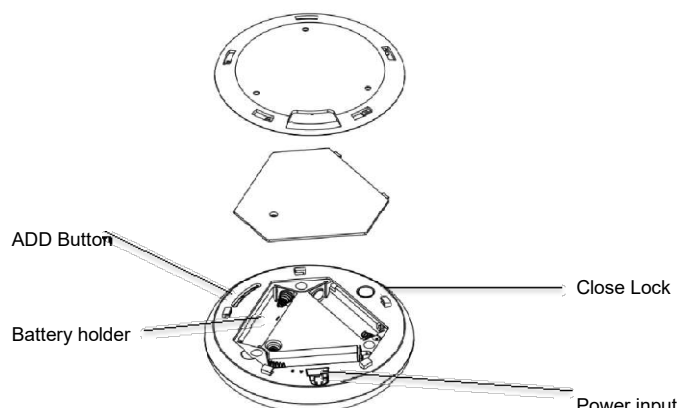
1. The association group supports five nodes and lifeline function.
2. This product can be operated in any Z-Wave network with other Z-Wave certified devices from other manufacturers. All non-battery operated nodes within the network will act as repeaters regardless of vendor to increase reliability of the network.

Package content:

- ZW15 Siren Box-1pcs
- Adapter 5V1A-1pcs
- Screw-3 pcs
- Installation Operation manual-1pcs



Siren Box Top



Siren Box bottom without battery