



Wave i4 DC

Z-Wave® 4 digital inputs controller Wave i4 DC

Extended User Guide (EN)

Device: Wave i4 DC

EU Part number/Ordering Code: QNSN-0D24XEU

Z-Wave Product type ID: 0x0009

Z-Wave Product ID: 0x0082

Z-Wave Manufacturer: Shelly Europe

Z-Wave Manufacturer ID: 0x0460

Contents

Contents.....	2
1. Terminology.....	4
2. About Shelly Qubino.....	4
3. About the Device.....	5
4. Electrical diagrams (5-24 V DC).....	5
4.1 Installation instruction.....	6
5. About Z-Wave®.....	7
6. Z-Wave® Adding / Removing / Factory reset.....	8
6.1 Adding the Device to a Z-Wave® network (inclusion).....	8
6.1.1. SmartStart adding (inclusion).....	8
6.1.2. Adding (inclusion) with the S button.....	8
6.1.3. Adding (inclusion) with a switch/push-button.....	9
6.2. Removing the Device from a Z-Wave® network (exclusion).....	9
6.2.1. Removing (exclusion) with the S button.....	9
6.2.2. Removing (exclusion) with a switch/push-button.....	9
6.3 Factory reset.....	10
6.3.1. Factory reset general.....	10
6.3.2. Factory reset with the S button.....	10
6.3.3. Factory reset with a switch/push-button.....	10
7. Z-Wave® Security 2 and Device Specific Key (DSK).....	11
8. LED Signalization.....	12
8.1 General rules.....	12
8.2 LED type: RGB dimmable.....	12
8.3 Settings mode with S button.....	13
8.4 Alarm Mode.....	14
9. Z-Wave® Parameters.....	14
Parameter No. 1 - SW (SW1) Switch type.....	14
Parameter No. 2 - SW2 Switch type.....	15

Parameter No. 3 - SW3 Switch type.....	15
Parameter No. 4 - SW4 Switch type.....	15
Parameter No. 120 - Factory Reset.....	16
Parameter No. 201 - Serial Number 1.....	16
Parameter No. 202 - Serial Number 2.....	16
Parameter No. 203 - Serial Number 3.....	17
10. Z-Wave Command Class	18
11. Z-Wave Notifications Command class	19
11.1 Overheat detected	19
12. Z-Wave Associations	20
12.1 Root device	20
13. Technical Specifications	23
14. Important disclaimer	24
15. Declaration of Conformity	24
16. Manufacturer	24

READ BEFORE USE

This document contains important technical and safety information about the Device, its safe use and installation.

⚠CAUTION! Before beginning the installation, please read carefully and entirely this guide and any other documents accompanying the Device. Failure to follow the installation procedures could lead to malfunction, danger to your health and life, violation of law or refusal of legal and/or commercial guarantee (if any). Shelly Europe Ltd. is not responsible for any loss or damage in case of incorrect installation or improper operation of this Device due to failure of following the user and safety instructions in this guide.

1. Terminology

- **Device** - In this document, the term “**Device**” is used to refer to the Shelly Qubino device that is a subject of this guide.
- **Gateway (GW)** - A Z-Wave® gateway, also referred to as a Z-Wave® controller, Z-Wave® main controller, Z-Wave® primary controller, or Z-Wave® hub, etc., is a device that serves as a central hub for a Z-Wave® smart home network. The term “**gateway**” is used in this document.
- **S button** - The Z-Wave® Service button, located on Z-Wave® devices and is used for various functions such as adding (inclusion), removing (exclusion), and resetting the device to its factory default settings. The term “**S button**” is used in this document.
- **Adding/Inclusion** - The process of adding Z-Wave device to a Z-Wave network - gateway. The words **included, added**, etc. are used in this regard.
- **Removing/Exclusion** - The process of removing Z-Wave device from a Z-Wave network - gateway. The words **excluded, removed**, etc. are used in this regard.
- **Learn mode** - a state that allows the Device to receive network information from the gateway.

2. About Shelly Qubino

Shelly Qubino is a line of innovative microprocessor-managed devices, which allow remote control of electric circuits with a smartphone, tablet, PC, or home automation system. They work on Z-Wave® wireless communication protocol, using a gateway, which is required for a configuration of devices. When the gateway is connected to the internet, you can control Shelly Qubino devices remotely from anywhere. Shelly Qubino devices can be operated in any Z-Wave® network with other Z-Wave® certified devices from other manufacturers. All mains operated nodes within the network will act as repeaters regardless of vendor to increase reliability of the network. Devices are designed to work with older generations of Z-Wave® devices and gateways.

3. About the Device

The Device is a 4-digital inputs module (5-24 V DC) that controls other devices within the Z-Wave network. It enables manual activation or deactivation of scenes through a switch/push-button.

If the SW is configured as a switch (default), each toggle of the switch will trigger the predefined scene. **If the SW is configured as a push-button in the Device settings,** each press of the push-button will trigger the predefined scene.

4. Electrical diagrams (5-24 V DC)

Connecting to the power grid with power supply 5-24 V DC (Fig. 1-2)

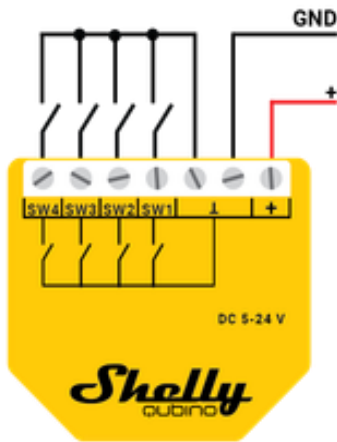


Fig.1

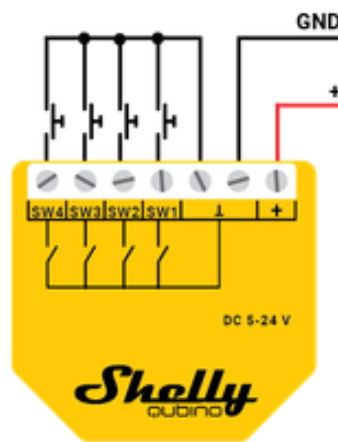


Fig.2

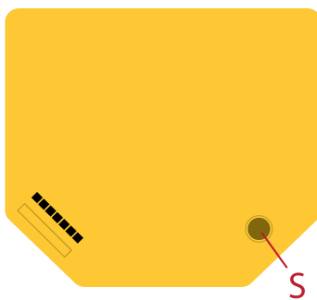


Fig.3

Device terminals:

- **⌚**: 5 - 24 V DC ground terminal
- **+**: 5 - 24 V DC positive terminal

- **SW1:** Input terminal for switch/push-button
 - **SW2:** Input terminal for switch/push-button
 - **SW3:** Input terminal for switch/push-button
 - **SW4:** Input terminal for switch/push-button
- Wires:**
- **GND:** 5 - 24 V DC ground wire
 - **+:** 5 - 24 V DC positive wire
- Button:**
- **S:** S button

4.1 Installation instruction

The Device can be retrofitted into a standard in-wall console, behind switches or other places with limited space.

⚠CAUTION! Mounting/installation of the Device to the power grid has to be performed with caution, by a qualified electrician.

⚠CAUTION! Danger of electrocution. Make sure the voltage at the wires is not higher than 24 V DC. Use only stabilized voltage to power supply the Device.

⚠CAUTION! Do not open the Device. It does not contain any parts that can be maintained by the user. For safety and licensing reasons, unauthorized change and/or modification of the Device is not permitted.

⚠CAUTION! Danger of electrocution. Make sure the voltage at the wires is not higher than 24 V DC. Use only stabilized voltage to power supply the Device.

⚠CAUTION! Use the Device only with a power grid and appliances that comply with all applicable regulations. A short circuit in the power grid or any appliance connected to the Device may damage it.

⚠CAUTION! Do not shorten the antenna.

⚠RECOMMENDATION: Place the antenna as far away as possible from metal elements as they can cause signal interference.

⚠CAUTION! Connect the Device only in the way shown in these instructions. Any other method could cause damage and/or injury.

⚠CAUTION! Do not install the Device where it can get wet.

⚠CAUTION! Do not use the Device if it has been damaged!

⚠CAUTION! Do not attempt to service or repair the Device yourself!

⚠CAUTION! Before starting the mounting/installation of the Device, check that the breakers are turned off and there is no voltage on their terminals. This can be done with a mains voltage tester or multimeter. When you are sure that there is no voltage, you can proceed to connecting the wires.

⚠CAUTION! Use only DC circuit. Do not use mixed AC and DC circuits.

⚠CAUTION! Do not insert multiple wires into one terminal.

⚠RECOMMENDATION: Connect the Device using solid single-core cables or stranded cables with ferrules. The cables should have insulation with increased heat resistance, not less than PVC T105°C (221°F).

⚠CAUTION! Do not allow children to play with the push-buttons/ switches connected to the Device. Keep the devices for remote control of Shelly Qubino (mobile phones, tablets, PCs) away from children.

Connect a switch or a button to a “SW” terminal of the Device and the ⊥ terminal as shown on fig. 1-2. Connect the Negative wire to a ⊥ terminal and the Positive wire to the + terminal of the Device.

5. About Z-Wave®

The Z-Wave® protocol is an interoperable, wireless, RF-based communications technology designed specifically for control, monitoring, and status reading applications in residential and light commercial environments. Mature, proven, and broadly deployed, Z-Wave® is by far the world market leader in wireless control, bringing affordable, reliable, and easy-to-use 'smart' products to millions of people in every aspect of daily life.

Interoperability has always been at the core of the Z-Wave® protocol, alongside the features like backward compatibility, security, and reliability. All Z-Wave® devices can be operated in any Z-Wave® network with other Z-Wave® certified devices, regardless of brand or manufacturer. All mains operated nodes within the network will act as repeaters regardless of vendor to increase the reliability of the network. There are 4000+ Z-Wave certified products that are backwards- and forwards-compatible in the Z-Wave® ecosystem and well over 100 million devices currently in the market.

With over 20 years in the marketplace, Z-Wave® technology has best-in-class security measures to keep your home network smarter and safer.

Source: www.z-wavealliance.org, <http://www.z-wave.com>

6. Z-Wave® Adding / Removing / Factory reset

6.1 Adding the Device to a Z-Wave® network (inclusion).

Note! *In case of Security 2 (S2) adding (inclusion), a dialog will appear asking you to enter the corresponding PIN Code (5 underlined digits) that are written on the Z-Wave® DSK label on the side of the Device and on the Z-Wave® DSK label inserted in the packaging.*

IMPORTANT: *The PIN Code must not be lost.*

6.1.1. SmartStart adding (inclusion)

SmartStart enabled products can be added into a Z-Wave® network by scanning the Z-Wave® QR Code present on the Device with a gateway providing SmartStart inclusion. No further action is required, and the SmartStart device will be added automatically within 10 minutes of being switched on in the network vicinity.

1. With the gateway application scan the QR code on the Device label and add the Security 2 (S2) Device Specific Key (DSK) to the provisioning list in the gateway.
2. Connect the Device to a power supply.
3. Check if the blue LED is blinking in Mode 1. If so, the Device is not added to a Z-Wave® network.
4. Adding will be initiated automatically within a few seconds after connecting the Device to a power supply, and the Device will be added to a Z-Wave® network automatically.
5. The blue LED will be blinking in Mode 2 during the adding process.
6. The green LED will be blinking in Mode 1 if the Device is successfully added to a Z-Wave® network.

6.1.2. Adding (inclusion) with the S button

1. Connect the Device to a power supply.
2. Check if the blue LED is blinking in Mode 1. If so, the Device is not added to a Z-Wave® network.
3. Enable add/remove mode on the gateway.
4. To enter the Setting mode, quickly press and hold the S button on the Device until the LED turns solid blue.
5. Quickly release and then press and hold (> 2s) the S button on the Device until the blue LED starts blinking in Mode 3. Releasing the S button will start the Learn mode.
6. The blue LED will be blinking in Mode 2 during the adding process.
7. The green LED will be blinking in Mode 1 if the Device is successfully added to a Z-Wave® network.

Note! *In Setting mode, the Device has a timeout of 10s before entering again into Normal mode.*

6.1.3. Adding (inclusion) with a switch/push-button.

1. Connect the Device to a power supply.
2. Check if the blue LED is blinking in Mode 1. If so, the Device is not added to a Z-Wave® network.
3. Enable add/remove mode on the gateway.
4. Toggle the switch/push-button connected to any of the SW terminals (SW, SW1, SW2, etc.) 3 times within 3 seconds (this procedure puts the Device in Learn mode*). The Device must receive on/off signal 3 times, which means pressing the momentary switch 3 times, or toggling the switch on and off 3 times.
5. The blue LED will be blinking in Mode 2 during the adding process.
6. The green LED will be blinking in Mode 1 if the Device is successfully added to a Z-Wave® network.

***Learn mode** - a state that allows the Device to receive network information from the gateway.

6.2. Removing the Device from a Z-Wave® network (exclusion)

Note! *The Device will be removed from your Z-Wave® network, but any custom configuration parameters will not be erased.*

6.2.1. Removing (exclusion) with the S button

1. Connect the Device to a power supply.
2. Check if the green LED is blinking in Mode 1. If so, the Device is added to a Z-Wave® network.
3. Enable add/remove mode on the gateway.
4. To enter the Setting mode, quickly press and hold the S button on the Device until the LED turns solid blue.
5. Quickly release and then press and hold (> 2s) the S button on the Device until the blue LED starts blinking in Mode 3. Releasing the S button will start the Learn mode.
6. The blue LED will be blinking in Mode 2 during the removing process.
7. The blue LED will be blinking in Mode 1 if the Device is successfully removed from a Z-Wave® network.

Note! *In Setting mode, the Device has a timeout of 10s before entering again into Normal mode.*

6.2.2. Removing (exclusion) with a switch/push-button

1. Connect the Device to a power supply.
2. Check if the green LED is blinking in Mode 1. If so, the Device is added to a Z-Wave® network.
3. Enable add/remove mode on the gateway.

4. Toggle the switch/push-button connected to any of the SW terminals (SW, SW1, SW2,...) 3 times within 3 seconds (this procedure puts the Device in Learn mode). The Device must receive on/off signal 3 times, which means pressing the momentary switch 3 times, or toggling the switch on and off 3 times.
5. The blue LED will be blinking in Mode 2 during the removing process.
6. The blue LED will be blinking in Mode 1 if the Device is successfully removed from a Z-Wave® network.

6.3 Factory reset

6.3.1. Factory reset general

After Factory reset, all custom parameters and stored values (kWh, associations, routings, etc.) will return to their default state. HOME ID and NODE ID assigned to the Device will be deleted. Use this reset procedure only when the gateway is missing or otherwise inoperable.

6.3.2. Factory reset with the S button

Note! *Factory reset with the S button is possible anytime.*

1. To enter the Setting mode, quickly press and hold the S button on the Device until the LED turns solid blue.
2. Press the S button multiple times until the LED turns solid red.
3. Press and hold (> 2s) S button on the Device until the red LED starts blinking in Mode 3. Releasing the S button will start the factory reset.
4. During factory reset, the LED will turn solid green for about 1s, then the blue and red LED will start blinking in Mode 3 for approx. 2s.
5. The blue LED will be blinking in Mode 1 if the Factory reset is successful.

6.3.3. Factory reset with a switch/push-button

Note! *Factory reset with a switch/push-button is only possible within the first minute after the Device is connected to a power supply.*

1. Connect the Device to a power supply.
2. Toggle the switch/push-button connected to any of the SW terminals (SW, SW1, SW2,...) 5 times within 3 seconds. The Device must receive on/off signal 5 times, which means pressing the push-button 5 times, or toggling the switch on and off 5 times.
3. During factory reset, the LED will turn solid green for about 1s, then the blue and red LED will start blinking in Mode 3 for approx. 2s.
4. The blue LED will be blinking in Mode 1 if the Factory reset is successful.

7. Z-Wave® Security 2 and Device Specific Key (DSK)

The Device supports the latest Security 2 (S2) feature. S2 is handled by the strong AES 128 Encryption protocol, which means that the S2 makes Z-Wave® the most secure IoT (Internet of Things) security platform out there. To fully utilize the product and its Security 2 feature, a Security 2-enabled Z-Wave® gateway must be used.

Authenticated Control

Out-Of-Band DSK for adding (inclusion)

May be used by most implementations

The Device also supports Security 2 Authenticated, Unauthenticated, and Unsecure adding (inclusion).

Note! When adding the Device to a Z-Wave network with a gateway supporting Security 2 (S2), the PIN Code of the Z-Wave Device Specific Key (DSK) is required. You can find it on the label on the side of the Device and a copy is inserted in the packaging, which must not be lost. Do not remove the Z-Wave DSK label from the Device. As a backup measure, use the label in the packaging.



The first five digits of the key are highlighted or underlined to help the user identify the PIN Code part of the DSK text. The DSK is additionally represented with a QR Code as shown on the image.

Z-Wave DSK label and QR code (example)

A joining node requesting to join the S2 Access Control Class or the S2 Authenticated Class will obfuscate its Public Key by setting the bytes 1..2 to zeros (0x00) before transferring its key via RF.

The DSK may be used for out-of-band (OOB) authentication.

The including gateway may use a QR code scanning device to read the entire DSK of the joining device and match it with the obfuscated public key received via RF from the joining device. ⁽ⁱ⁾
NOTE: This Device must be used in conjunction with a Security Enabled Z-Wave gateway to fully utilize all implemented functions.

⁽ⁱ⁾ NOTE: This Device is a security enabled Z-Wave Plus[®] product that can use encrypted Z-Wave Plus messages to communicate to other security enabled Z-Wave Plus products.

⁽ⁱ⁾ NOTE: DSK access via UI gateways, which implement the S2 and SmartStart security feature, display an input dialog box, with a full or partial DSK key. Most of them display a partial DSK (they do not show the PIN code) when the Device is added with the S2-Authenticated security scheme. When added with the S2-Unauthenticated, some gateways show the complete DSK while others perform the complete adding (inclusion) process without prompting the user with the dialogue.

8. LED Signalization

8.1 General rules

- Switching between Normal and Settings mode is done by Single press on the S button
- **Solid LED** means that you are in the **Settings mode** (this is not valid for Plugs). Ones in settings mode, switch to normal mode goes automatically after 10s
- If the LED is not in Alarm mode, it will turn off after a timeout of 30 min. Pressing the S button or power cycling the Device will wake the LED for 30 min.

Normal mode LED status: Normal mode is defined by stable device function that can remain for an infinite time.

8.2 LED type: RGB dimmable

Normal mode

Removed/Excluded

The LED will be blinking **blue** in Mode 1 for 30 min after every power cycle and 10 min after S button pressed.



Added/Included

The LED will be blinking **green** in Mode 1 for 30 min after every power cycle and 10 min after S button pressed.



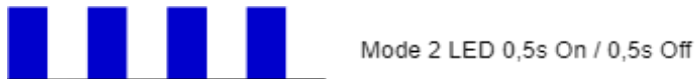
Settings in progress

Factory reset and reboot

During factory reset, the LED will turn solid **green** for approx. 1sec, then the **blue** and **red** LED will be blinking 0,1s On / 0,1s Off for about 2sec.

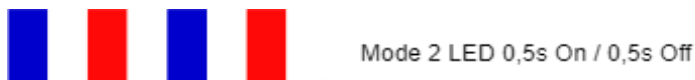
Adding / Removing

During adding or removing, the LED will be blinking **blue** in Mode 2.



OTA firmware updating

During the OTA update, the LED will be blinking **blue** and **red** in Mode 2.



Checking power supply 230 V AC frequency or 24 V DC voltage

During checking the power supply, the LED will be blinking **blue** and **red** in Mode 5.



8.3 Settings mode with S button

Adding / Removing menu selected

When the menu is selected the LED will be on **blue**, for maximum of 10 seconds.

Adding / Removing menu - while pressing S- button - Add/Remove process selected

When the menu is executing the LED will be blinking **blue** in Mode 3.



Mode 3 LED 0,1s On / 0,1s Off

Factory reset menu selected

When the menu is selected the LED will be on **red**, for maximum of 10 seconds.



Mode 3 LED 0,1s On / 0,1s Off

Factory reset - while pressing S - button - Factory reset process selected

When the menu is executing the LED will be blinking **red** in Mode 3.



Mode 3 LED 0,1s On / 0,1s Off

8.4 Alarm Mode

NA

9. Z-Wave® Parameters

Parameter No. 1 - SW (SW1) Switch type

This parameter defines how the Device should treat the switch (which type) connected to the SW (SW1) terminal.

Value size: 1 Byte

Default value: 2

Values & descriptions:

- 0 - momentary switch (push button),
- 1 - toggle switch (contact closed - ON / contact opened - OFF),
- 2 - toggle switch (Device changes status when switch changes status)

Parameter No. 2 - SW2 Switch type

This parameter defines how the Device should treat the switch (which type) connected to the SW2 terminal.

Value size: 1 Byte

Default value: 2

Values & descriptions:

- 0 - momentary switch (push button),
- 1 - toggle switch (contact closed - ON / contact opened - OFF),
- 2 - toggle switch (device changes status when switch changes status)

Parameter No. 3 - SW3 Switch type

This parameter defines how the Device should treat the switch (which type) connected to the SW3 terminal.

Value size: 1 Byte

Default value: 2

Values & descriptions:

- 0 - momentary switch (push button),
- 1 - toggle switch (contact closed - ON / contact opened - OFF),
- 2 - toggle switch (device changes status when switch changes status)

Parameter No. 4 - SW4 Switch type

This parameter defines how the Device should treat the switch (which type) connected to the SW4 terminal.

Value size: 1 Byte

Default value: 2

Values & descriptions:

- 0 - momentary switch (push button),
- 1 - toggle switch (contact closed - ON / contact opened - OFF),
- 2 - toggle switch (device changes status when switch changes status)

Parameter No. 120 - Factory Reset

Reset to factory default settings and removed from the Z-Wave network.

The parameter is Advanced and may be hidden under the Advanced tag.

Values size: 1 Byte

Default value: 0

Values & descriptions:

0 - Don't do Factory reset

1 - Do the Factory reset

Parameter No. 201 - Serial Number 1

This parameter contains a part of device's serial number.

The parameter is Read-Only and cannot be changed.

The parameter is Advanced and may be hidden under the Advanced tag.

Values size: 4 Byte

Default value: Device specific

Values & descriptions:

0x00000000 - 0x7FFFFFFF

Parameter No. 202 - Serial Number 2

This parameter contains a part of device's serial number.

The parameter is Read-Only and cannot be changed.

The parameter is Advanced and may be hidden under the Advanced tag.

Values size: 4 Byte

Default value: Device specific

Values & descriptions:

0x00000000 - 0x7FFFFFFF

Parameter No. 203 - Serial Number 3

This parameter contains a part of device's serial number.

The parameter is Read-Only and cannot be changed.

The parameter is Advanced and may be hidden under the Advanced tag.

Values size: 4 Byte

Default value: Device specific

Values & descriptions:

- 0x00000000 - 0x7FFFFFFF

10. Z-Wave Command Class

1. ASSOCIATION_V2 [S0, S2]*
2. ASSOCIATION_GRP_INFO_V3 [S0, S2]*
3. BASIC_V2 [S0, S2]*
4. SWITCH_BINARY_V2 [S0, S2]*
5. CENTRAL_SCENE_V3 [S0, S2]*
6. CONFIGURATION_V4 [S0, S2]*
7. DEVICE_RESET_LOCALLY_V1 [S0, S2]*
8. FIRMWARE_UPDATE_MD_V5 [S0, S2]*
9. INDICATOR_V3 [S0, S2]*
10. MANUFACTURER_SPECIFIC_V2 [S0, S2]*
11. MULTI_CHANNEL_V4 [S0, S2]*
12. MULTI_CHANNEL_ASSOCIATION_V3 [S0, S2]*
13. SWITCH_MULTILEVEL_V4 [S0, S2]*
14. NOTIFICATION_V8 [S0, S2]*
15. POWERLEVEL_V1 [S0, S2]*
16. SECURITY_V1
17. SECURITY_2_V1
18. SUPERVISION_V1
19. VERSION_V3 [S0, S2]*
20. ZWAVEPLUS_INFO_V2

Supporting Command Class Indicator

The Device supports the Command Class Indicator V3 (ID 0x50). When the Device receives an indicator set, the LED blinks according to the received indicator set.

Refer to LED Signalization chapter.

11. Z-Wave Notifications Command class

11.1 Overheat detected

Comment	Overheat detected
Z-Wave Notification Type Name	Heat Alarm
Z-Wave Notification type - Value	0x04
Z-Wave Notification type - Event	State
Z-Wave Notification Name	Overheat detected
Z-Wave Notification Name - Value	0x02
Z-Wave Notification Name - Version	V2
LED signalisation	Check LED signalisation table
Device reaction - Switch OFF all outputs and send notification	Yes
Action to restore - power cycle	Yes
Action to restore - short press on S button	Yes
Action to restore - press any switch-push button connected to any SW (SW, SW1, SW2, ...) terminal	Yes

12. Z-Wave Associations

Associations are used for direct communication between the Device and other devices within your Z-Wave network without the need of the Z-Wave gateway.

Max. number of associated devices per group is 9. This value is fixed and can not be configured. Each association group supports the association of up to 9 devices (nodes). To avoid network delays, we recommend limiting the number of associated devices to no more than 5 per group. "Lifeline Group" is reserved for controlling devices, such as Gateways and remote controllers, or devices who can interpret the reports sent.

Association group 1 - "Lifeline Group" sends to the controlling device it's command class notifications and or command class reports when said command classes are triggered. Max. 9 nodes are allowed.

12.1 Root device

Root device - Association Group 1 - Lifeline

1. INDICATOR_REPORT : LED status
2. DEVICE_RESET_LOCALLY_NOTIFICATION : triggered upon request
3. SWITCH_BINARY_REPORT : status change report on SW1
4. SWITCH_BINARY_REPORT : status change report on SW2
5. SWITCH_BINARY_REPORT : status change report on SW3
6. SWITCH_BINARY_REPORT : status change report on SW4

Root device - Association Group 2

Allowed nodes: 9

It is assigned to switch connected to the SW (SW1) terminal (uses Basic command class).

Triggered by SW (SW1). The device sends according to the state of SW (SW1) (switch or push-button) the command BASIC_SET ON or BASIC_SET OFF to the associated device. This command is reflected to the output of associated device. Supports the following command classes:

- BASIC_SET : set On / Off state at the associated device

Root device - Association Group 3

Allowed nodes: 9

It is assigned to switch connected to the SW (SW1) terminal (uses Switch Multilevel command class). Triggered by SW (SW1).

It is recommended to use push buttons for this association. Supports the following command classes:

- SWITCH_MULTILEVEL_START_LEVEL_CHANGE : initiate a transition to a new level (increase or decrease light intensity in case of dimmer, or move shutter up or down, ...)
- SWITCH_MULTILEVEL_STOP_LEVEL_CHANGE : stop an ongoing transition (stop increase or decrease light intensity in case of dimmer, or stop moving shutter up or down, ...)

Root device - Association Group 4

Allowed nodes: 9

It is assigned to switch connected to the SW2 terminal (uses Basic command class).

Triggered by SW2. Supports the following command classes:

- BASIC_SET : set On / Off state at the associated device

Root device - Association Group 5

Allowed nodes: 9

It is assigned to switch connected to the SW2 terminal (uses Switch Multilevel command class).

Triggered by SW2.

It is recommended to use push buttons for this association. Supports the following command classes:

- SWITCH_MULTILEVEL_START_LEVEL_CHANGE : initiate a transition to a new level (increase or decrease light intensity in case of dimmer, or move shutter up or down, ...)
- SWITCH_MULTILEVEL_STOP_LEVEL_CHANGE : stop an ongoing transition (stop increase or decrease light intensity in case of dimmer, or stop moving shutter up or down, ...)

Root device - Association Group 6

Allowed nodes: 9

It is assigned to switch connected to the SW3 terminal (uses Basic command class).

Triggered by SW3. Supports the following command classes:

- BASIC_SET : set On / Off state at the associated device

Root device - Association Group 7

Allowed nodes: 9

It is assigned to switch connected to the SW3 terminal (uses Switch Multilevel command class).

Triggered by SW3

It is recommended to use push buttons for this association. Supports the following command classes:

- SWITCH_MULTILEVEL_START_LEVEL_CHANGE : initiate a transition to a new level (increase or decrease light intensity in case of dimmer, or move shutter up or down, ...)
- SWITCH_MULTILEVEL_STOP_LEVEL_CHANGE : stop an ongoing transition (stop increase or decrease light intensity in case of dimmer, or stop moving shutter up or down, ...)

Root device - Association Group 8

Allowed nodes: 9

It is assigned to switch connected to the SW4 terminal (uses Basic command class).

Triggered by SW4. Supports the following command classes:

- BASIC_SET : set On / Off state at the associated device

Root device - Association Group 9

Allowed nodes: 9

It is assigned to switch connected to the SW4 terminal (uses Switch Multilevel command class).

Triggered by SW4.

It is recommended to use push buttons for this association. Supports the following command classes:

- SWITCH_MULTILEVEL_START_LEVEL_CHANGE : initiate a transition to a new level (increase or decrease light intensity in case of dimmer, or move shutter up or down, ...)
- SWITCH_MULTILEVEL_STOP_LEVEL_CHANGE : stop an ongoing transition (stop increase or decrease light intensity in case of dimmer, or stop moving shutter up or down, ...)

13. Technical Specifications

Power supply AC	No
Power supply DC	5 - 24 V DC
Power consumption	< 0.3 W
Overload protection	No
Power measurement	No
Number of inputs	4
Distance	Up to 40 m indoors (131 ft.) (depends on local condition)
Z-Wave repeater:	Yes
CPU	Z-Wave S800
Z-Wave frequency band	868,4 MHz; 865,2 MHz; 869,0 MHz; 921,4 MHz; 908,4 MHz; 916 MHz; 919,8 MHz; 922,5 MHz; 919,7-921,7-923,7 MHz; 868,1 MHz; 920,9 MHz
Maximum radio frequency power transmitted in frequency band(s)	< 25 mW
Size (H x W x D)	37x42x16 ±0.5 mm / 1.46x1.65x0.63 ±0.02 in
Weight	17 g / 0.6 oz
Mounting	Wall box
Screw terminals max. torque	0.4 Nm / 3.5 lbin
Conductor cross section	0.5 to 1.5 mm ² / 20 to 16 AWG
Conductor stripped length	5 to 6 mm / 0.20 to 0.24 in
Shell material	Plastic
Color	Yellow
Ambient temperature	-20°C to 40°C / -5°F to 105°F
Humidity	30 % to 70 % RH

14. Important disclaimer

Z-Wave® wireless communication may not always be 100% reliable. This Device should not be used in situations in which life and/or valuables are solely dependent on its functioning. If the Device is not recognized by your gateway or appears incorrectly, you may need to change the Device type manually and ensure that your gateway supports Z-Wave Plus® multi-channel devices.

15. Declaration of Conformity

Hereby, Shelly Europe Ltd. (former Allterco Robotics EOOD) declares that the radio equipment type Wave i4 DC is in compliance with Directive 2014/53/ EU, 2014/35/EU, 2014/30/EU, 2011/65/EU. The full text of the EU declaration of Conformity is available at the following internet address: <https://shelly.link/Wavei4DC-DoC>

16. Manufacturer

Shelly Europe Ltd. (former Allterco Robotics EOOD)

Address: 103 Cherni vrah Blvd., 1407 Sofia, Bulgaria

Tel.: +359 2 988 7435

E-mail: zwave-shelly@shelly.cloud

Support: <https://support.shelly.cloud/>

Web: <https://www.shelly.com>

Changes in the contact data are published by the Manufacturer at the official website: <https://www.shelly.com>

