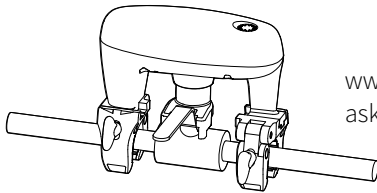


TITAN  
WATER VALVE ACTUATOR ZAC36 LR

ZOOZ™  
bright ideas



www.getzooz.com  
ask@getzooz.com

FEATURES

- Automatic shut-off actuator for your main water valve
- Connect it to your Z-Wave® hub for full smart home control
- Use it offline with the included leak sensor probe
- Built-in temperature detection for instant freeze detection
- Retrofit installation with no tools required
- Use with ½” - 1 ¼” ball valves only (close prior to installation)
- Indoor & outdoor installation with IP66 rating (avoid direct sunlight)
- Z-Wave® Long Range for ultra reliable no-mesh communication
- S2 Security and SmartStart for easier inclusion

SPECIFICATIONS

- Model Number: ZAC36 LR
- Z-Wave® Region: US / CA / MX
- Power: 12 V DC (1 A) power supply (included)
- Temperature Sensor Range: -40° to 257° F
- Sound Indicator: up to 85 dB
- Z-Wave® Range: Up to 400 feet line of sight (up to 1300 ft with LR)
- Operating Temperature: 14-122° F (-10-50° C)
- Installation and Use: Indoor & outdoor (Ip66)
- Standby Power Consumption: 0.12 W
- Full Operation Power Consumption: 8.4 W



This product can be included and operated in any Z-Wave® network with other Z-Wave® certified devices from other manufacturers and/or other applications. All non-battery operated nodes within the network will act as repeaters regardless of vendor to increase reliability of the network. This product features the latest Security 2 (S2) framework to remove smart home network hacking risks. This device is equipped with a unique authentication code for trusted wireless communication.

SCAN FOR FULL INSTALLATION GUIDE >>>

Scan the QR code with your phone's camera. Then click on the link to access the detailed installation guide with video instructions!



**⚡ BEFORE YOU INSTALL**

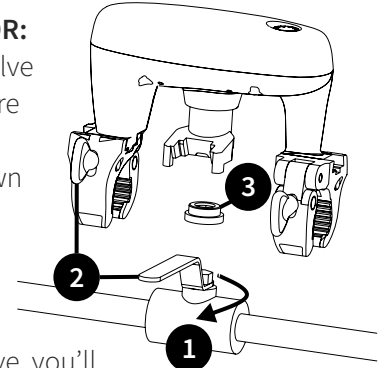
Install this actuator on ball valves only.  
At least 1.25” space between valve handle and pipe required.  
**ALWAYS CLOSE THE VALVE FIRST!**



Use with ½” - 1 ¼” ball valves only.  
Do NOT use with gate valves.

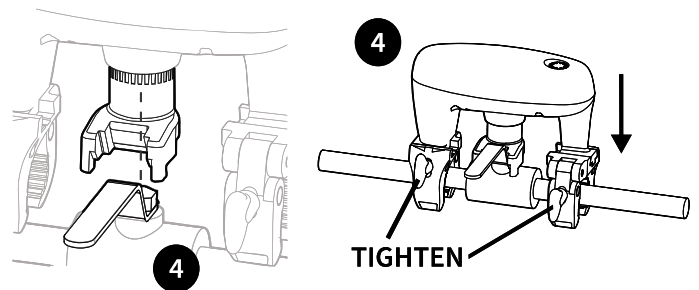
**1. CLOSE YOUR VALVE:** turn the main shut-off valve to the closed position before you start installing the Titan.

**2. PREPARE YOUR ACTUATOR:** position the Titan over the valve so that the clamp fasteners are facing the same direction as the valve handle, just as shown in the drawing.

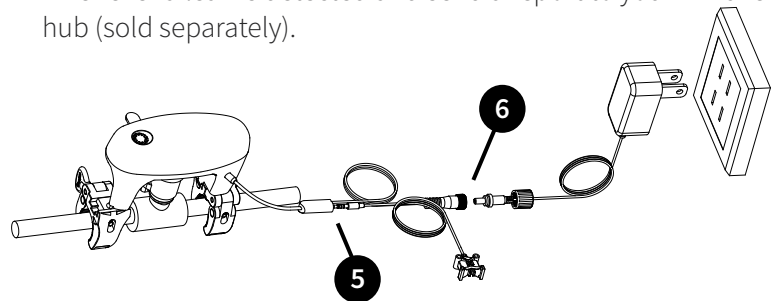


**3. INSERT THE SPACER IF NEEDED:** when installing the Titan on a low-profile valve, you'll need to place the included spacer accessory between the valve handle and the Titan's fork.

**4. PLACE THE ACTUATOR ON THE VALVE:** make sure the Titan's fork is aligned with the handle screw and press down so that the fork catches the screw and the clamps embrace the pipe. Tighten the fasteners to secure the actuator on the pipe.



**5. CONNECT THE LEAK DETECTOR:** if you'd like to use the offline leak detector probe (included), connect it to the jack located on the cable next to the power supply connector (take off the cap from the jack first!). It will trigger the valve to close whenever a leak is detected and send a report to your Z-Wave® hub (sold separately).



**6. POWER THE ACTUATOR:** connect the power jack on the included DC adapter with the Titan's power cord. Turn clockwise until the seal cover is fully secured. Plug into a standard 120 V receptacle. The LED will start blinking yellow.

**7. CALIBRATE:** Do NOT skip this step! Hold the Z-Wave® button until the second beep sounds, then immediately release it. Auto-calibration will start and the LED will flash green twice when it's complete. Click the Z-Wave® button once to open or close the valve.

## Z-WAVE® CONTROL

### 1. ADD DEVICE to your hub.

Initiate inclusion (pairing) in the app (or web interface). Not sure how? Scan one of the QR codes below for step-by-step instructions or get in touch: [www.support.getzooz.com](http://www.support.getzooz.com)

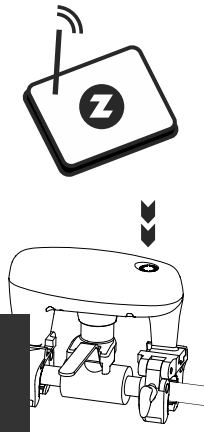
### 2. Finalize inclusion at the actuator.

#### TAP THE Z-WAVE® BUTTON 3 TIMES

if using traditional Z-Wave® inclusion.

#### SCAN THE QR CODE ON THE BACK OF THE PRODUCT / ENTER THE 5-DIGIT PIN

if using the new SmartStart method.



SmartStart enabled products can be added into a Z-Wave® network by scanning the Z-Wave® QR Code present on the product with a controller providing SmartStart inclusion. The unique SmartStart QR code is printed on the back of the product and on the side of the packaging.

Choose your hub and scan the QR code with your phone's camera. Then click on the link to access the step-by-step pairing instructions.



Z-Box Hub



Ring Alarm



Home Assistant



SmartThings

Get more tutorials and helpful tips at [www.support.getzooz.com](http://www.support.getzooz.com)

## TROUBLESHOOTING

### The actuator won't add to your system? Try this:

1. Initiate **EXCLUSION** and tap the Z-Wave® button 3 times quickly (it will sound 3 beeps).
2. Make sure you hear 3 consecutive beeps when adding it.
3. Bring the gateway controller (hub) **closer** to the actuator, it may be out of range.
4. Get troubleshooting tips for your hub at [www.support.getzooz.com](http://www.support.getzooz.com)

### EXCLUSION (REMOVING / UNPAIRING DEVICE)

1. Bring your Titan Valve Actuator close to the Z-Wave® gateway (hub) if possible
2. Put the Z-Wave® hub into **exclusion mode** (not sure how to do that? Contact us: [ask@getzooz.com](mailto:ask@getzooz.com))
3. Tap the Z-Wave® button **3 times quickly** (it will flash and beep once each time you tap to confirm communication)
4. Your hub will confirm exclusion, the LED indicator on the actuator will turn green for 3 seconds, and the device will sound 2 short beeps for a successful exclusion. The actuator will disappear from your controller's device list. The LED indicator on the Titan will go back to the yellow blinking mode.

## OUTDOOR INSTALLATION: Z-WAVE® BUTTON LOCK

If installing the Titan outdoors, please lock the Z-Wave® button to prevent accidental triggering by animals:

1. **Hold** the Z-Wave® button until **3 beeps** sound, then **tap the Z-Wave® button 3 times**.
2. The LED indicator will flash **yellow and red once** and will sound another beep to confirm the button is locked. The LED indicator will enter pulsing yellow mode.
3. You will no longer be able to use the Z-Wave® button other than **to disable the lock by repeating step 1 and step 2**.

## FACTORY RESET

If your primary controller is missing or inoperable, you may need to reset the device to factory settings. Please make sure that your **Z-Wave® button is unlocked** before you proceed. To reset the Titan **hold the Z-Wave® button until 10 beeps sound**. Release the button, and immediately after, **tap the Z-Wave® button 5 times**. The LED indicator will flash yellow, then it will turn green for 2 seconds and will sound a long beep to confirm a successful reset.

**NOTE: All previously recorded activity and custom settings will be erased from the device's memory.**

## ADVANCED SETTINGS



Scan the QR code for a full list of settings and links for how to access them on your hub. You'll also find supported command classes and association information there.

## ⚠ WARNING

- This product should be installed upon completion of any building renovations.
- Prior to installation, the device should be stored in a dry, dust-and-mold-proof place.
- Do not install the device in a place with direct sun exposure, high temperature, or humidity.
- Keep away from chemicals, water, and dust.
- Ensure the device is never close to any heat source or open flame to prevent fire.
- Ensure the device is connected to an electric power source that does not exceed the maximum load power.
- No part of the device may be replaced or repaired by the user.

## WARRANTY

This product is covered under a 12-month warranty and under a 5-year limited warranty once registered. To read the full warranty policy or file a warranty claim, please go to [www.getzooz.com/warranty](http://www.getzooz.com/warranty)

IN NO EVENT SHALL ZOOZ OR ITS SUBSIDIARIES AND AFFILIATES BE LIABLE FOR ANY INDIRECT, INCIDENTAL, PUNITIVE, SPECIAL, OR CONSEQUENTIAL DAMAGES, OR DAMAGES FOR LOSS OF PROFITS, REVENUE, OR USE INCURRED BY CUSTOMER OR ANY THIRD PARTY, WHETHER IN AN ACTION IN CONTRACT, OR OTHERWISE EVEN IF ADVISED OF THE POSSIBILITY OF SUCH DAMAGES. ZOOZ'S LIABILITY AND CUSTOMER'S EXCLUSIVE REMEDY FOR ANY CAUSE OF ACTION ARISING IN CONNECTION WITH THIS AGREEMENT OR THE SALE OR USE OF THE PRODUCTS, WHETHER BASED ON NEGLIGENCE, STRICT LIABILITY, BREACH OF WARRANTY, BREACH OF AGREEMENT, OR EQUITABLE PRINCIPLES, IS EXPRESSLY LIMITED TO, AT ZOOZ'S OPTION, REPLACEMENT OF, OR REPAYMENT OF THE PURCHASE PRICE FOR THAT PORTION OF PRODUCTS WITH RESPECT TO WHICH DAMAGES ARE CLAIMED. ALL CLAIMS OF ANY KIND ARISING IN CONNECTION WITH THIS AGREEMENT OR THE SALE OR USE OF PRODUCTS SHALL BE DEEMED WAIVED UNLESS MADE IN WRITING WITHIN THIRTY (30) DAYS FROM ZOOZ'S DELIVERY, OR THE DATE FIXED FOR DELIVERY IN THE EVENT OF NONDELIVERY.

### FCC NOTE

THE MANUFACTURER IS NOT RESPONSIBLE FOR ANY RADIO OR TV INTERFERENCE CAUSED BY UNAUTHORIZED MODIFICATIONS TO THIS EQUIPMENT. SUCH MODIFICATIONS COULD VOID THE USER'S AUTHORITY TO OPERATE THE EQUIPMENT. STORE INDOORS WHEN NOT IN USE. SUITABLE FOR DRY LOCATIONS ONLY. DO NOT IMMERSE IN WATER. NOT FOR USE WHERE DIRECTLY EXPOSED TO WATER. This device complies with Part 15 of the FCC Rules.

Operation is subject to the following conditions:

1. This device may not cause harmful interference,

2. This device must accept any interference received, including interference that may cause undesired operation.

This equipment has been tested and found to comply with the limits for a Class B digital device, pursuant to part 15 of the FCC Rules. These limits are designed to provide reasonable protection against harmful interference in a residential installation.

This equipment generates, uses and can radiate radio frequency energy and, if not installed and used according to instructions, may cause harmful interference to radio communications.

However, there is no guarantee that interference will not occur in any given installation.

If this equipment causes harmful interference to radio or television reception, the user may try to correct the interference by taking one or more of the following measures:

- Reorient or relocate receiving antenna

- Increase the separation between equipment and receiver

- Connect equipment into a separate outlet or circuit from receiver

- Consult the dealer or an experienced radio/TV technician for additional assistance

All brand names displayed are trademarks of their respective holders.

© Zooz 2024

NEED SOME HELP? [ask@getzooz.com](mailto:ask@getzooz.com)