

Nano Dual Switch
B-PLR2-V01



FEATURES

- 🔌 Manual or Z-Wave™ on/off control of 2 individual loads up to 5A
- 🔌 Installs behind your existing wallswitches (single pole or 3-way)
- 🔌 Small form factor to easily fit in a crowded switch box
- 🔌 **700 series Z-Wave™** chip for better range and faster control
- 🔌 **Scene control:** trigger actions with multi-tap (select hubs only)
- 🔌 Remembers and restores on/off status after power failure
- 🔌 Built-in Z-Wave™ timer functionality and signal repeater
- 🔌 Works with LED and incandescent bulbs
- 🔌 SmartStart and S2 Security for a safer network

SPECIFICATIONS

- 🔌 Model Number: B-PLR2-V01
- 🔌 Power: 100-240V~ , 50/60Hz
- 🔌 **Maximum Load:** 150W LED or CFL bulbs, 500W incandescent, 5A resistive, 1/2 HP motors per channel
- 🔌 Range: Up to 300 feet line of sight
- 🔌 Operating Temperature: 32-104° F (0-40° C)
- 🔌 Installation and Use: Indoor only

⚠️ CAUTION

This is an electrical device - please use caution when installing and operating the relay. Remote control of appliances may result in unintentional or automated activation of power.

Do not use this Z-Wave™ device to control electric heaters or other appliances which produce the risk of fire, burns, or electrical shock when unattended.

To reduce risk of overheating and possible damage to other equipment, do not install this unit to control a receptacle; a motor-operated appliance; a fluorescent lighting fixture; or a transformer-supplied fixture.

⚡ BEFORE YOU INSTALL

This relay is intended for installation in accordance with the National Electric Code and local regulations. It is recommended that a licensed electrician perform this installation.

WIRING: READ IT!

- 1. CHECK THE LOAD:** don't exceed 150W for LED's, 500W for incandescent, or 5 A for resistive loads per relay, **DO NOT CONNECT THIS DEVICE TO SWITCHED RECEPTACLES.**
- 2. POWER OFF:** turn the circuit power off in the breaker panel before you start. If installing in a multi-switch box with multiple circuits, turn power off at all of the circuits.
- 3. ONE CIRCUIT INSTALLATION:** the 2 loads you're planning to control with your ZEN52 need to be on the same circuit!
- 4. CHECK THE WIRES:** mark load (most often black), line (most often black), neutral (most often white), and ground (most often bare) for each switch. 14 AWG wires only! Don't rely exclusively on your multimeter to identify the wires!

📷 NOT SURE WHAT YOU'RE SEEING? WE'LL HELP!
SUPPORT.BONONDAR.COM SEND US PICTURES OF YOUR SET-UP,

4. DISCONNECT THE OLD SWITCHES: remove the wires and label them accordingly.

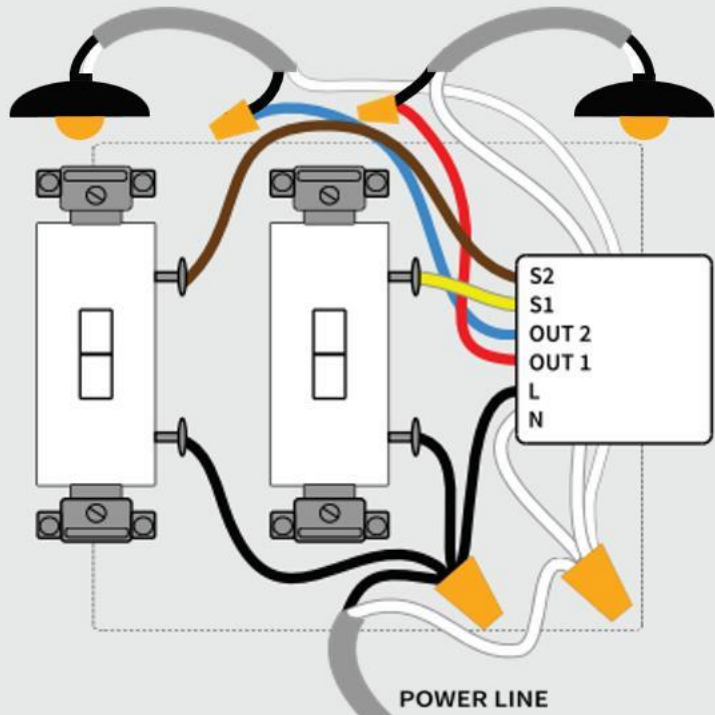
5. CONNECT THE Z-WAVE™ RELAY: follow all installation steps carefully. Wire the relay EXACTLY like in the diagram.

ON/OFF SWITCHES ONLY

Do not connect the Z-Wave™ relay to a wall dimmer, illuminated switch, or an electronic add-on switch. The ZEN51 relay can only be wired with mechanical on/off or momentary switches in single pole, 3-way, or 4-way settings!



- 1 Keep your existing wallswitches connected to ground.
- 2 Connect the power source to the **L black** pigtail on the ZEN52 and the load wires to the **OUT1 red and OUT2 blue** pigtails for each load. **Load and line CAN'T be swapped so make sure you identified them correctly!**
- 3 Connect the **N white pigtail** to the bundle of **neutral** wires.
- 4 Connect the wall switch terminals to the S1 yellow and S2 brown pigtails on the B-PLR2-V01 and to the power source for each switch respectively .



NEED MORE DIAGRAMS?

Scan the QR code for 3-way wiring diagrams and more installation tips.



QUESTIONS?

info@bonondar.com

COMPLETE INSTALLATION

Secure your Z-Wave™ relay and the wallswitches in the box with mounting screws, handling the wires with care. Install the wall plate and restore power to the circuit.

TEST THE RELAY

The LED indicator should start blinking green when you turn the power back on. Toggle the switch connected to each relay to check if the load changes state. **If the test fails, please check that:**

- 🔌 power is fully restored to the circuit
- 🔌 wiring matches the instructions **exactly**
- 🔌 the load isn't too large and overheating the relay causing it to shutoff.

⚠️ WARNING

- 🔌 This product should be installed indoors upon completion of any building renovations.
- 🔌 Prior to installation, the device should be stored in a dry, dust-and-mold-proof place.
- 🔌 Do not install the relay in a place with direct sun exposure, high temperature, or humidity.
- 🔌 Keep away from chemicals, water, and dust.
- 🔌 Ensure the device is never close to any heat source or open flame to prevent fire.
- 🔌 Ensure the device is connected to an electric power source that does not exceed the maximum load power.
- 🔌 No part of the device may be replaced or repaired by the user.

Z-WAVE™ CONTROL



1. ADD DEVICE to your hub

Initiate inclusion (pairing) in the app (or web interface).

Not sure how? Scan one of the QR codes below for step-by-step instructions or get in touch: www.support.bonondar.com

2. Finalize inclusion at the relay.

TAP THE Z-WAVE™ BUTTON 3 TIMES QUICKLY if using traditional Z-Wave™ inclusion.

SCAN THE QR CODE / ENTER THE 5-DIGIT PIN if using the new SmartStart method.

The SmartStart security PIN is located on the back of the relay, next to the Z-Wave Plus™ logo. The LED indicator will blink green to signal communication and turn green for 2 seconds if inclusion is successful or turn red for 2 seconds if the pairing attempt fails.

NEED SOME HELP? info@bonondar.com

Choose your hub and scan the QR code with your phone's camera. Then click on the link to access the step-by-step pairing instructions.



SmartThings



Hubitat



Home Assistant



Vera

Get more tutorials and helpful tips at www.support.bonondar.com

TROUBLESHOOTING

The relay won't add to your system? Try this:

1. Initiate **EXCLUSION** and click the Z-Wave™ button 3 times quickly.
2. Click the Z-Wave™ button **4-5 times quickly** to add.
3. Bring the gateway controller (hub) **closer** to the relay, it may be out of range.
4. Get troubleshooting tips for your hub at www.support.bonondar.com

The relay won't control the load manually anymore? Try this:

1. Turn the power off at the breaker and check if a wire didn't get loose.
2. Exclude the relay from the hub or **reset** it in case manual control was accidentally disabled.
3. The load may be incompatible so try it with a single incandescent bulb.

EXCLUSION (REMOVING / UNPAIRING DEVICE)

1. Bring your Z-Wave™ gateway (hub) close to the relay if possible
2. Put the Z-Wave™ hub into **exclusion mode** (not sure how to do that? info@bonondar.com)
3. Click the **Z-Wave button** on the relay **3 times quickly** (the LED indicator will start blinking green)
4. Your hub will confirm exclusion, the LED indicator on the relay will turn green for 2 seconds, and the device will disappear from your controller's device list.

FACTORY RESET

If your primary controller is missing or inoperable, you may need to reset the device to factory settings. To reset the relay, **click the Z-Wave™ button twice and hold it for 15 seconds**. The LED indicator will flash during the process and turn red for 3 seconds to confirm successful reset.

NOTE: All previously recorded activity and custom settings will be erased from the device's memory.

ADVANCED SETTINGS

Here is a selection of settings available to customize your relay. **Scan the QR code for a full list of parameters** and look below for how to access them on your hub.

- 🔊 **Timer** to automatically turn the relay on or off after a set period of time
- 🔊 **Smart Bulb Mode** (disable the relay)
- 🔊 External switch type
- 🔊 On/off status after **power failure**

SCAN SETTINGS



Choose your hub and scan the QR code with your phone's camera. Then click on the link to learn how to access and change the advanced settings for the relay on your hub.



SmartThings



Hubitat



Home Assistant



Vera

ASSOCIATION

This Double Relay supports Group 1 with up to 5 devices for Lifeline Group communication, Group 2 and Group 3 with up to 5 devices. This device will send BASIC REPORT and SWITCH BINARY REPORT to Group 1 and BASIC SET command to group 2 (for S1) and 3 (for S2) when operated manually from the wall switch. You can set direct association to have the relay control another Z-Wave™ device independently of the hubby using Group 2 or Group 3. Not every hub exposes direct association settings in the interface so please go to www.support.bonondar.com to see if your system allows for direct association.



This product can be included and operated in any Z-Wave™ network with other Z-Wave™ certified devices from other manufacturers

and/or other applications. All non-battery operated nodes within the network will act as repeaters regardless of vendor to increase reliability of the network.

This product features the latest Security 2 (S2) framework to remove smart home network hacking risks. This device is equipped with a unique authentication code for trusted wireless communication.

WARRANTY

This product is covered under a 12-month warranty and under a 5-year limited warranty once registered. To read the full warranty policy or file a warranty claim, please go to www.bonondar.com/warranty

REGISTER your device for extended warranty and more perks: www.bonondar.com/register

IN NO EVENT SHALL BONONDAR OR ITS SUBSIDIARIES AND AFFILIATES BE LIABLE FOR ANY INDIRECT, INCIDENTAL, PUNITIVE, SPECIAL, OR CONSEQUENTIAL DAMAGES, OR DAMAGES FOR LOSS OF PROFITS, REVENUE, OR USE INCURRED BY CUSTOMER OR ANY THIRD PARTY, WHETHER IN AN ACTION IN CONTRACT, OR OTHERWISE EVEN IF ADVISED OF THE POSSIBILITY OF SUCH DAMAGES. BONONDAR'S LIABILITY AND CUSTOMER'S EXCLUSIVE REMEDY FOR ANY CAUSE OF ACTION ARISING IN CONNECTION WITH THIS AGREEMENT OR THE SALE OR USE OF THE PRODUCTS, WHETHER BASED ON NEGLIGENCE, STRICT LIABILITY, BREACH OF WARRANTY, BREACH OF AGREEMENT, OR EQUITABLE PRINCIPLES, IS EXPRESSLY LIMITED TO, AT BONONDAR'S OPTION, REPLACEMENT OF, OR REPAYMENT

OF THE PURCHASE PRICE FOR THAT PORTION OF PRODUCTS WITH RESPECT TO WHICH DAMAGES ARE CLAIMED. ALL CLAIMS OF ANY KIND ARISING IN CONNECTION WITH THIS AGREEMENT OR THE SALE OR USE OF PRODUCTS SHALL BE DEEMED WAIVED UNLESS MADE IN WRITING WITHIN THIRTY (30) DAYS FROM BONONDAR'S DELIVERY, OR THE DATE FIXED FOR DELIVERY IN THE EVENT OF NONDELIVERY.