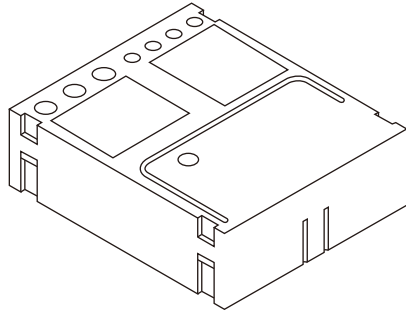


INSTALLATION INSTRUCTIONS

ZWN-RSM2-PLUS Smart Dual Relay Switch Module



FEATURES

- 700 series Z-Wave™ chip for better range and faster control
- SmartStart and S2 Security for a safer network
- Manual or Z-Wave on/off control with instant status updates
- Installs behind your existing wall switch (single pole)
- Works with LED and incandescent bulbs

SPECIFICATIONS

Voltage	120-277VAC, 50/60Hz
Resistive	10A
Z-Wave Frequency.....	908.42MHz(US)
Wireless Range.....	up to 131 feet line of sight
System Requirements.....	Z-Wave Network
Operating Temperature.....	32°-104°F (0°-40°C)

This Switch Module can be included and operated in any Z-Wave network with other Z-Wave certified devices from other manufacturers and/or other applications. All non-battery operated nodes within the network will act as repeaters regardless of vendor to increase reliability of the network. This Switch Module features the latest Security 2 (S2) framework to remove smart home network hacking risks. This device is equipped with a unique authentication code for trusted wireless communication.

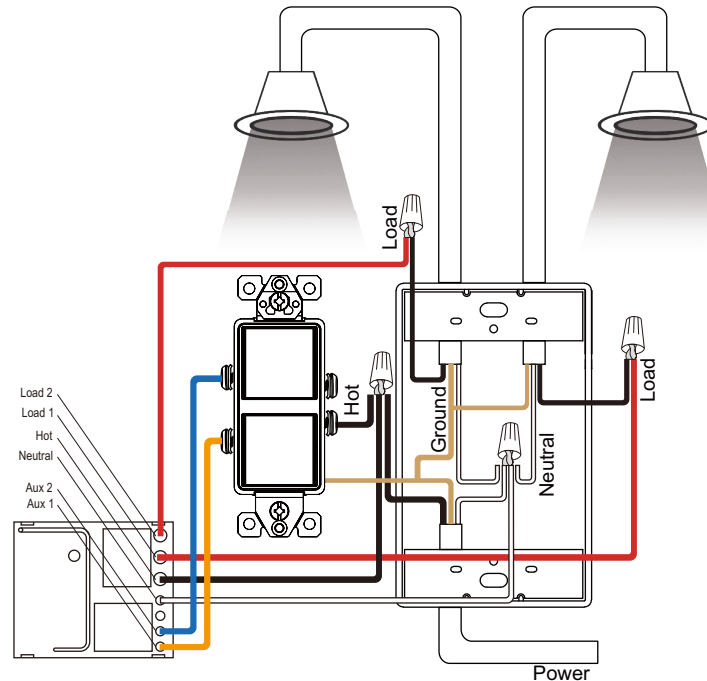
WARNING

Turn the POWER OFF at the circuit breaker before installing the Switch.

Read and understand these instructions before installing. This device is intended for installation in accordance with the National Electric Code and local regulations. It is recommended that a qualified electrician performs this installation.

- Use copper wire only.**
- Use wires with a minimum temperature rating of 75°C (167°F)**

WIRING DIRECTIONS: If Hot and Neutral are located in the wall box, then wire the ZWN-RSM2-PLUS this way



Z-Wave Control

1. ADD DEVICE to your hub. Initiate inclusion (pairing) in the app
2. Finalize inclusion at the relay. Press and released the program button 3 times or toggle the connected switch 5 times quickly if using the traditional Z-Wave inclusion
3. The connected load will turn on/off 3 times if inclusion is successful

Z-Wave SmartStart

1. Scan the QR code / Enter the 5-Digit Pin
2. The SmartStart security PIN is located on the back of the relay next to the Z-Wave Plus™ logo
3. The connected load will turn on/off 3 times if inclusion is successful
4. SmartStart enabled products can be added into a Z-Wave network by scanning the Z-Wave QR Code present on the product with a controller providing SmartStart inclusion. No further action is required and the SmartStart product will be added automatically within 10 minutes of being switched on in the network vicinity.

Z-Wave Inclusion with SmartThings Hub

1. Power the relay up
2. Tap the plus icon in the home screen of the SmartThings app
3. Tap Device
4. Tap "Scan QR code." Scan the QR code printed on the inside of the cover of the relay
5. Input the 5-digit pin
6. On the SmartThings app, select the hub and room you'd like the device added to and click Next
7. When the app says "Get your device ready to connect", press and released the program button 3 times on the back of the relay
8. A few seconds later, the app will display a new device on the screen
9. Click Done

Z-Wave Exclusion with SmartThings Hub

1. Tap on your hub in the home page of the app or find it under Devices in the SmartThings app
2. Tap the three dots in the top right
3. Tap Z-Wave Utilities
4. Tap Z-Wave Exclusion
5. While the app is searching for a device, press and released the program button 3 times on the back of the relay
6. The app will indicate when the device is successfully removed.

EXCLUSION (REMOVING / UNPAIRING DEVICE)

1. Bring your Z-Wave gateway (hub) close to the relay if possible
2. Put the Z-Wave hub into exclusion mode
3. Press and released the Z-WAVE program button or toggle the connected switch 5 times quickly
4. The app will indicate when the device is successfully removed



Z-Wave Inclusion with Hubitat

1. Open **Hubitat** in your Internet browser
2. Go to **Devices**
3. Click on "**Discover Devices**" in the top right corner
4. Click on **Z-Wave**"
5. Click on "**Start Z-Wave Inclusion**"
6. While the app says it is in inclusion mode, **press and release the program button** 3 times located on the back of the device
7. If you're using a hub that supports S2 security, it may ask you to enter the PIN. The PIN is located on the back of the device, next to the Z-Wave Plus logo
8. **Rename** and **confirm** the found device

Z-Wave Exclusion with Hubitat

1. Open **Hubitat** in your Internet browser
2. Go to **Devices**
3. Click on "**Discover Devices**" in the top right corner
4. Click on **Z-Wave**"
5. Click on "**Start Z-Wave Exclusion**"
6. While the app says it is in inclusion mode, **press and release the program button 3 times** located on the back of the device
7. **The app will indicate when the device is successfully excluded**

Z-Wave Inclusion with Vera

1. Power up the ZWN-RSM2-PLUS
2. **In your Vera app, select the Devices tab. Next, click on the gray "+ ADD Device" button**
3. Choose Generic **Z-Wave Device** from the list
4. **Press and release the program button 3 times located on the back of the device**
5. **A new on/off switch will be created**

Z-Wave Exclusion with Vera

1. Tap the green Retry button in the bottom right corner of the app. This puts Vera into exclusion mode
2. Exclude the ZWN-RSM2-PLUS by press and release the program button 3 times
3. Vera will confirm the device was excluded in a message on top of the screen

Factory Reset

1. If your primary controller is missing or inoperable, you may need to reset the device to factory settings. To reset the relay, press and hold the program button for 10 seconds. The device will send reset locally notification to controller and the connected load will turn on/off 5 times to confirm successful reset.

NOTE: All previously recorded activity and custom settings will be erased from the device's memory.

Association Command Class				
Below is an overview of the different association groups for each the endpoints.				
Endpoint	Grouping Identifier	Max Nodes	Mapping	Send Commands
Root Device	1(Lifeline Group),	0x05	Endpoint1 Endpoint2	1. Switch Binary Report. Switch will send Switch Binary Report(Configurable) when Switch status changed. 2. Device Reset Locally. Press and hold Z-Wave button at least 10 seconds. 3. Indicator Report
	2	0x05	Endpoint1	1. Basic Set. Switch will send Basic Set when Switch status changed.
	3	0x05	Endpoint2	1. Basic Set. Switch will send Basic Set when Switch status changed.
Endpoint1	1	0x00		
	2	0x05		1. Basic Set. Switch will send Basic Set when Switch status changed.
Endpoint2	1	0x00		
	2	0x05		1. Basic Set. Switch will send Basic Set when Switch status changed.

ZWN-RSM2-PLUS Status	Load
Power-on (networked)	Follow the load
Power-on (not networked)	on and off once / 2 seconds / lasts 4 seconds (2 times)
Networking waiting	on and off once / 3 seconds / last 6 seconds (2 times) (slow flash)
Networking succeeded	on and off once / 1 second / last 3 seconds (3 times) (fast flash)
Networking failed	/
OTA start	on and off once / 2 second / last 6 seconds (3 times) (slow flash)
OTA process	/
OTA success	on and off once / 1 second / last 1 second (1 time) (fast flash)
OTA failed	on and off once / 1 second / last 3 seconds (3 times) (fast flash)
Long press to start	/
Long press for 10s	/
Long press for 10s to start the reset	/
Reset successfully	on and off once / 1 second / last 5 seconds (5 times) (fast flash)

Configuration Command Class					
#	Name	Size	Range	Description	Default
0x05	Power on status	1	0~2	When the device is powered on, the initial status. 0= Off 1= On 2= Last State	0
0x13	Child lockout enable	1	0~1	Child lockout feature can enabled and disabled local control. 0= Disable 1= Enable	0
0x14	Delayed off time	1	0~240	Delay off means when users press button to turn off the load, there's a reaction time.	0

FCC COMPLIANCE STATEMENT

1. This device may not cause harmful interference, and (2) this device must accept any interference received, including interference that may cause undesired operation.

This equipment has been tested and found to comply with the limits for a Class B digital device, pursuant to part 15 of the FCC Rules. These limits are designed to provide reasonable protection against harmful interference in a residential installation. This equipment generates, uses and can radiate radio frequency energy and, if not installed and used according to instructions, may cause harmful interference to radio communications. However, there is no guarantee that interference will not occur in any given installation. If this equipment causes harmful interference to radio or television reception, the user may try to correct the interference by taking one or more of the following measures:

- Reorient or relocate receiving antenna
- Increase the separation between equipment and receiver
- Connect equipment into a separate outlet or circuit from receiver
- Consult the dealer or an experienced radio/TV technician for additional assistance

WARRANTY INFORMATION

This device is warranted to be free of material and workmanship defects for 2 years from the date of purchase. Original receipt or proof of purchase from an authorized retailer must be presented upon warranty claim. ALL claims must be verified and approved by Enerwave, Inc. Warranties from other Enerwave products may vary. This warranty is nontransferable and does not cover normal wear and tear or any malfunction, failure, or defect resulting from misuse, abuse, neglect, alteration, modification, or improper installation. To the fullest extent permitted by the applicable state law, Enerwave shall not be liable to the purchaser or end user customer of Enerwave products for direct, indirect, incidental, or consequential damages even if Enerwave has been advised of the possibility of such damages. Enerwave' total liability under this or any other warranty, express or implied, is limited to repair, replacement or refund. Repair, replacement or refund are the sole and exclusive remedies for breach of warranty or any other legal theory.