



S2 Dimmer Switch

· ZW313 ·



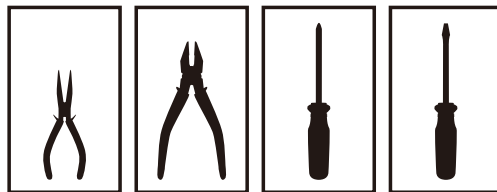
- Switch x1
- Wiring x1
- Screws x2
- Faceplate x1

Specifications:

Model: ZW313
 Power: 120VAC, 60Hz
 Frequency: 908.42 MHz
 Maximum: 300W incandescent,
 100W LED
 Minimum : 5W Dimmable LED
 Temperature Range: 32-104° F (0-40° C)
For indoor use.

Pre-installation preparation

Tools You Will Need



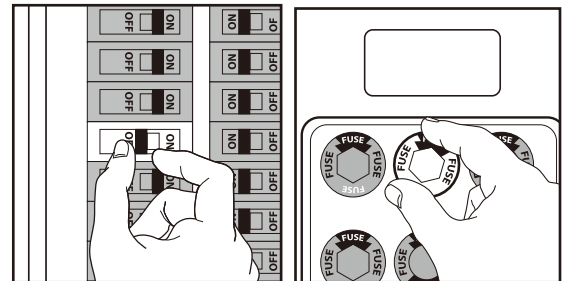
Single switch wiring

Before you start; you may wish to change the paddle color to match your wallplate or decor.
 Please proceed to <To Change Color Of The Paddle>.

(1) Shut off power to the circuit at circuit breaker or fuse box.

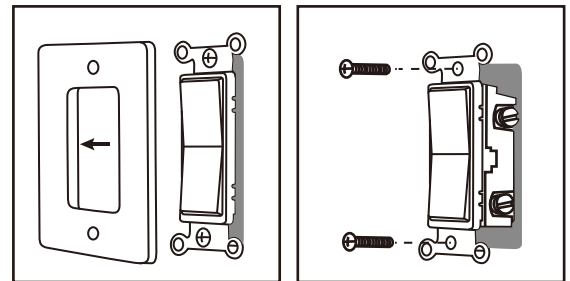
IMPORTANT! Verify power is OFF to switch box before continuing.

Turn OFF the power to the branch circuit for the switch and lighting fixture at the service panel. All wiring connections must be made with the POWER OFF to avoid personal injury and/or damage to the switch.

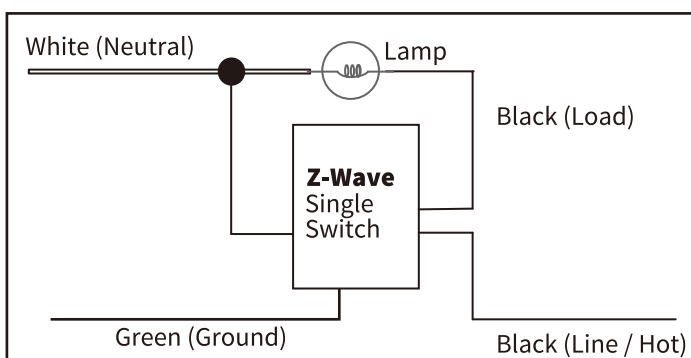


(2) Remove wall plate, Remove the switch mounting screws.

(3) Carefully remove the switch from the switch box. DO NOT disconnect the wires.



Understanding circuit diagrams



Identify the wires.

- A. LINE (Hot) — Black (connected to power)
 - B. NEUTRAL — White
 - C. LOAD — Black (connected to lighting)
 - D. GROUND — Green/Bare
 - E. TRAVELER — Red/Other (only in 3-way in stallions)
- ▲ Common

