

**Minoston™**

Smart On/Off Toggle Switch

• MS12Z •



- Switch x1
- Wiring x1
- Screws x2
- Faceplate x1

**Specifications:**

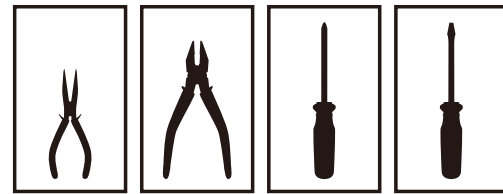
Model: MS12Z  
 Power: 120VAC, 60Hz  
 Frequency: 908.42 MHz  
 Maximum Load: 960W Incandescent,  
 ½ HP Motor or 1800W (15A) Resistive  
 Temperature Range: 32-104° F (0-40° C)

For indoor use.

**IMPORTANT!**  
 The fixture controlled by the Z-Wave In-wall Smart Switch must not exceed 960 watts (Incandescent); 1800W (15A) Resistive or ½ HP Motor. The switch is designed only for using with permanently installed fixtures.

**Pre-installation preparation**

**Tools You Will Need**



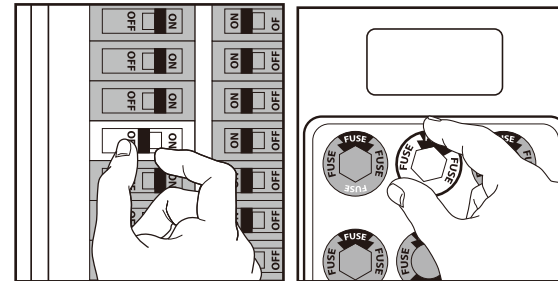
**Single switch wiring**

Before you start; you may wish to change the paddle color to match your wallplate or decor. Please proceed to <To Change Color Of The Paddle>.

**(1) Shut off power to the circuit at circuit breaker or fuse box.**

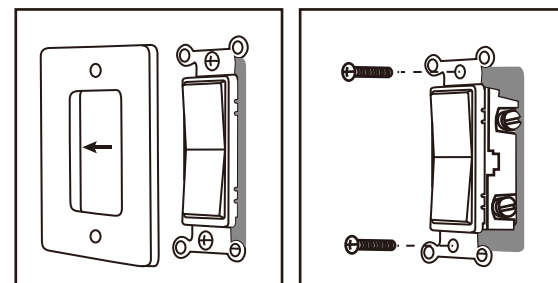
**IMPORTANT! Verify power is OFF to switch box before continuing.**

Turn OFF the power to the branch circuit for the switch and lighting fixture at the service panel. All wiring connections must be made with the POWER OFF to avoid personal injury and/or damage to the switch.



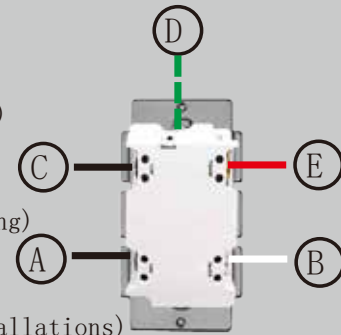
**(2) Remove wall plate, Remove the switch mounting screws.**

**(3) Carefully remove the switch from the switch box. DO NOT disconnect the wires.**



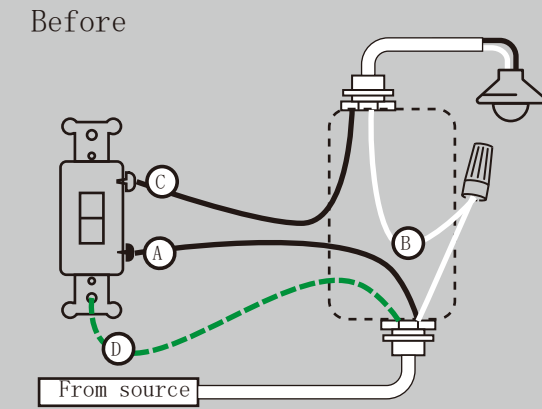
Identify the wires.

- A. LINE (Hot) — Black (connected to power)
- B. NEUTRAL — White (connected to lighting)
- C. LOAD — Black (connected to lighting)
- D. GROUND — Green/Bare
- E. TRAVELER — Red/Other (only in 3-way in stallations)  
 ▲ Common

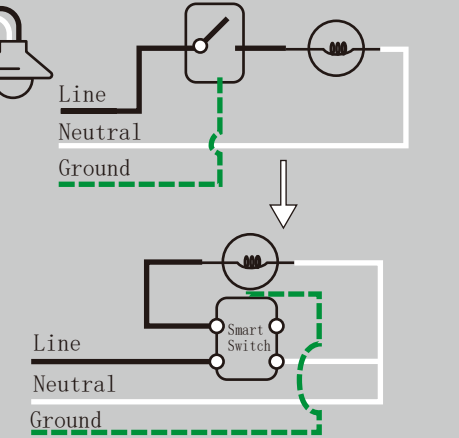
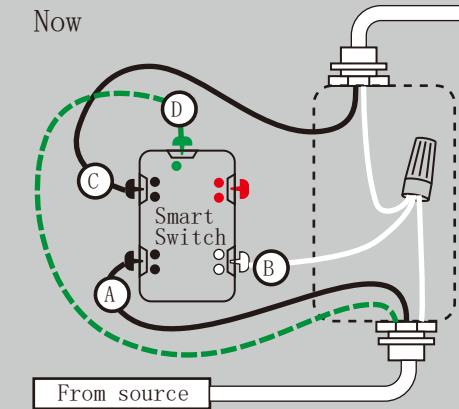


Single switch

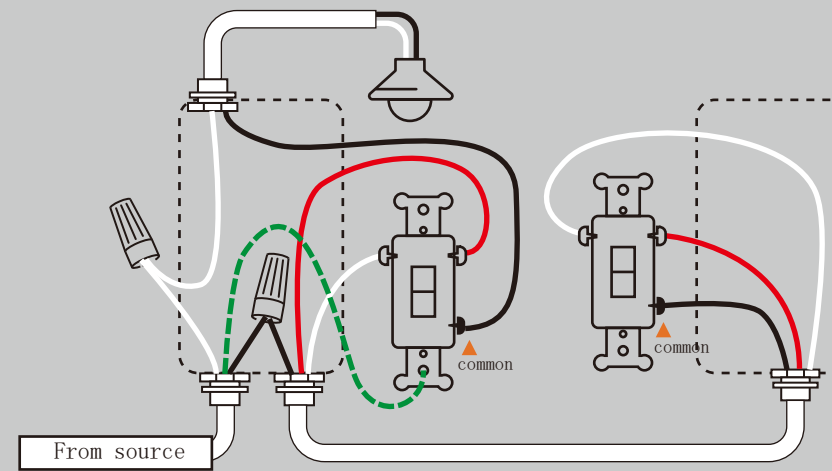
Before



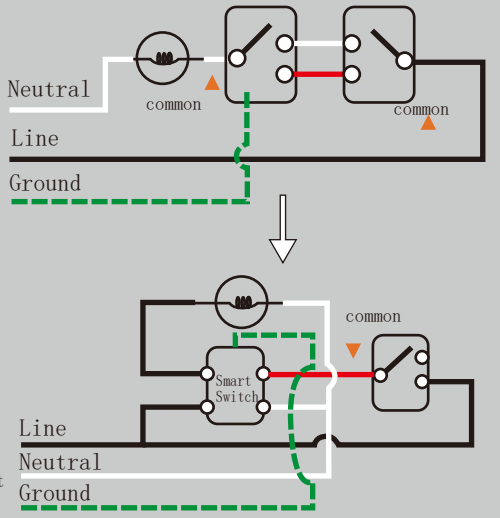
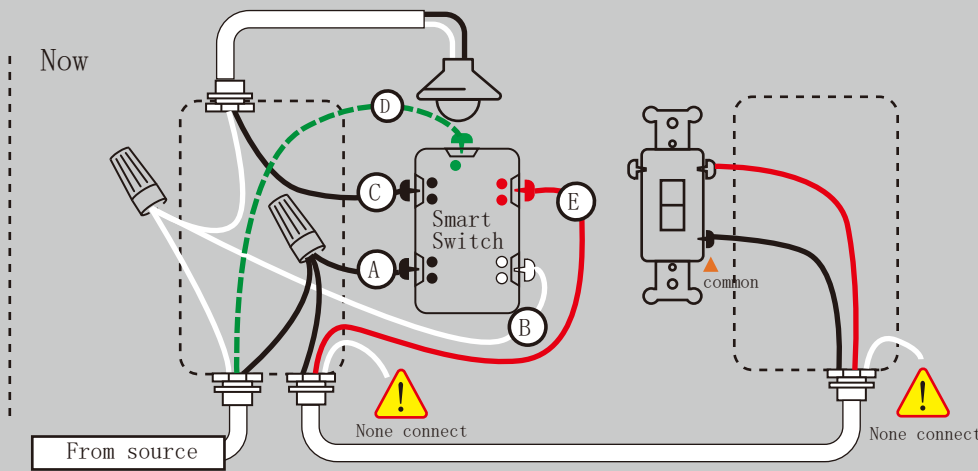
Now



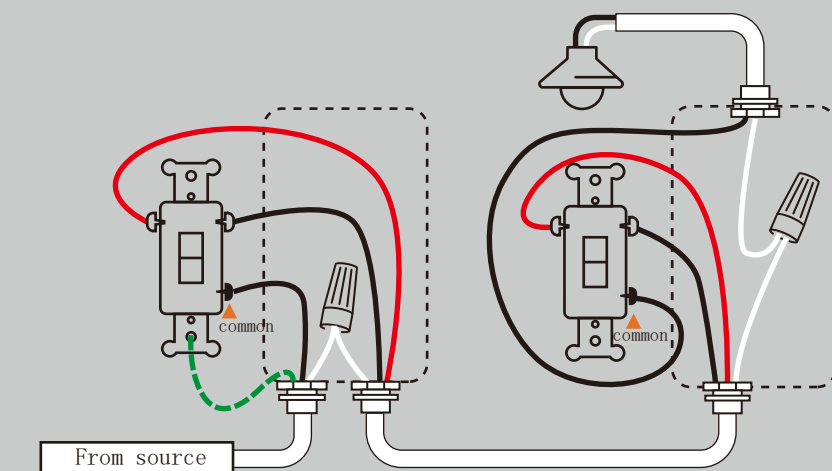
3-Way switch option 1



Now



3-Way switch option 2



Now

