

Slim Multisensor PST07



The multi sensor is a Z-Wave™ enabled device which is fully compatible with any Z-Wave™ enabled network. This device is a security enabled Z-Wave Plus product that is able to use encrypted Z-Wave Plus messages to communicate to other security enabled Z-Wave Plus products. Z-Wave™ enabled devices displaying the Z-Wave™ logo can also be used with it regardless of the manufacturer, and ours can also be used in other manufacturer's Z-Wave™ enabled networks.

The product supports Over The Air(OTA) feature for the products firmware upgrade.

This product can be included and operated in any Z-Wave™ network with other Z-Wave™ certified devices from other manufacturers and/or other applications. All non-battery operated nodes within the network will act as repeaters regardless of vendor to increase reliability of the network.

The device adopt the Z-Wave™ 500 series chip, when your Z-Wave™ network system is all made by Z-Wave™ 500 series devices. The network system will have the advantages as below.

- Concurrent multi-channel support reduces external interference.
- Better RF range, improve about 10 meters in indoor.
- Support 100 Kbps transmit speed, speed up communication.

Add to/Remove from Z-Wave™ Network

There are two tamper keys in the device, one is in the back side, another is in the front side. Both of them can add, remove, reset or association from Z-Wave™ network.

The table below lists an operation summary of basic Z-Wave functions. Please refer to the instructions for your Z-Wave™ Certificated Primary Controller to access the Setup function, and to Add/Remove/associate devices

Notice: Including a node ID allocated by Z-Wave™ Controller means **"Add"** or **"Inclusion"**. Excluding a node ID allocated by Z-Wave™ Controller means **"Remove"** or **"Exclusion"**.

Function	Description
Add	<ol style="list-style-type: none">1. Have Z-Wave™ Controller entered inclusion mode.2. Pressing tamper key three times within 2 seconds to enter the inclusion mode.3. After add successful, the device will wake to receive the setting command from Z-Wave™ Controller about 20 seconds.
Remove	<ol style="list-style-type: none">1. Have Z-Wave™ Controller entered exclusion mode.2. Pressing tamper key three times within 2 seconds to enter the exclusion mode. Node ID has been excluded.

Reset	<p>Notice: Use this procedure only in the event that the primary controller is lost or otherwise inoperable.</p> <ol style="list-style-type: none"> 1. Pressing button four times and keep about 5 seconds. 2. IDs are excluded and all settings will reset to factory default.
SmartStart	<ol style="list-style-type: none"> 1. Product has a DSK string, you can key in first five digit to increment smart start process, or you can scan QR code. 2. SmartStart enabled products can be added into a Z-Wave network by scanning the Z-Wave QR Code present on the product with a controller providing SmartStart inclusion. No further action is required and the SmartStart product will be added automatically within 10 minutes of being switched on in the network vicinity. *notice1:The QR code can be found on the device or in the box.
Association	<ol style="list-style-type: none"> 3. Have Z-Wave™ Controller entered association mode. 4. Pressing tamper key three times within 1.5 seconds to enter the association mode. <p>Note: The device support 2 groups. The group 1 is for receiving the report message, like triggered event, temperature, illumination etc. The group 2 is for light control, the device will send the "Basic Set" command to this group. A group one support 1 nodes maximum and group two support 5 nodes maximum.</p>
<ul style="list-style-type: none"> • Failed or success in add/remove the node ID can be viewed from Z-Wave™ Controller. 	

Notice 1: Always RESET a Z-Wave™ device before trying to add it to a Z-Wave™ network

Z-Wave™ Notification

After the device adding to the network, it will wake-up once per day in default. When it wake-up it will broadcast the "Wake Up Notification" message to the network, and wake-up 10 seconds for receive the setting commands.

The wake-up interval minimum setting is 30 minutes, and maximum setting is 120 hours. And the interval step is 30 minutes.

If the user want to wake-up the device immediately, please remove the front cover, and press the tamper key once. The device will wake-up 10 seconds.

Z-Wave™ Message Report

When the PIR motion triggered, the device will report the trigger event and also report temperature and illumination level.

* Motion Report:

When the PIR motion detected, the device will unsolicited to send the report to the nodes in the group 1.

Notification Report (V8)
Notification Type: Home Security (0x07)
Event: Motion Detection, Unknown Location (0x08)

* Tamper Report:

The tamper keys are pressed over 5 seconds. The device will into the alarm state. In that state, if any one of the tamper keys be released, the device will unsolicited to send the report to the nodes in the group 1.

Notification Report (V8)

Notification Type: Home Security (0x07)

Event: Tampering. Product covering removed (0x03)

* **Temperature Report:**

When the PIR motion detected state changed, the device will unsolicited to send the "Sensor Multilevel Report" to the nodes in the group 1.

Sensor Type: Temperature (0x01)

*** Temperature differential report ***

This function default is enabled, to disable this function by setting the configuration NO.12 to 0.

In the default, when the temperature is changed to plus or minus one degree Fahrenheit (0.5 degree Celsius), the device will report temperature information to the nodes in the group 1.

Caution 1: *Enable this functionality, it will cause the PIR Motion to disable detection when the temperature measurement. In other words, The PIR motion will blind one second in every one minute.*

* **LightSensor Report:**

When the PIR motion detected state changed, the device will unsolicited to send the "Sensor Multilevel Report" to the nodes in the group 1.

Sensor Type: Luminance (0x03)

*** LightSensor differential report ***

This function default is disabled, to enable this function by setting the configuration NO.13 not to zero.

And if the LightSensor is changed to plus or minus the value (setting by the configuration NO.13), the device will report illumination information to the nodes in the group 1.

Caution 1: *Enable this functionality, it will cause the PIR Motion to disable detection when the illumination measurement. In other words, The PIR motion will blind one second in every one minute.*

* **Timing Report:**

Beside the event triggered could report message, the device also support the timing unsolicited report of the status.

- Battery level report: Every 6 hours report once in default. It could be changed by setting the configuration NO. 8.
- Low battery report: When the battery level is too low. (Lose battery report when a power-on or PIR trigger.)
- LightSensor level report: Every 6 hours report once in default. It could be changed by setting the configuration NO. 9.
- Temperature report: Every 6 hours report once in default. It could be changed by setting the configuration NO. 10.

Notice: The configuration NO. 8 could be setting to zero to disable the auto report. And the configuration NO. 11 could change the tick interval, the default value is 30, if setting to 1, that means the minimum auto report interval will be one minute.

Power Up Procedure

* **Battery Power Check**

When the device power up, the device will detect the power level of the battery immediately. If the power level is too low, the LED will continue flash about 5 seconds. Please change another new battery.

* **Wake**

When the device power on, the device will wake about 20 seconds. In this duration, the controller can communicate with the device. Normally the device is always sleeping to save the battery energy.

Security Network

The device support the security function. When the device included with a security controller, the device will auto switch to the security mode. In the security mode, the follow commands need using Security CC wrapped to communicate, otherwise it will not response.

COMMAND_CLASS_VERSION_V3
COMMAND_CLASS_MANUFACTURER_SPECIFIC_V2
COMMAND_CLASS_DEVICE_RESET_LOCALLY
COMMAND_CLASS_ASSOCIATION_V2
COMMAND_CLASS_ASSOCIATION_GRP_INFO
COMMAND_CLASS_POWERLEVEL
COMMAND_CLASS_CONFIGURATION
COMMAND_CLASS_NOTIFICATION_V8
COMMAND_CLASS_FIRMWARE_UPDATE_MD_V4
COMMAND_CLASS_BATTERY
COMMAND_CLASS_SENSOR_MULTILEVEL_V11
COMMAND_CLASS_WAKE_UP_V2

Operation Mode

There are two modes "Test" and "Normal". "Test Mode" is for the user test the sensor function when installation. "Normal Mode" is for the normal operation.

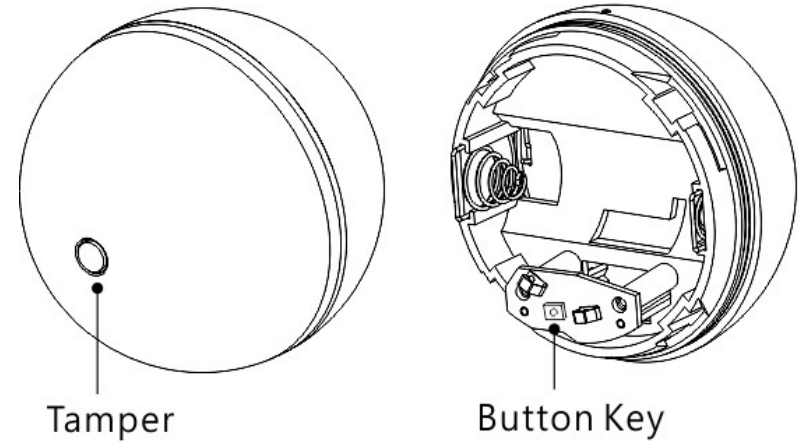
Operation Mode can be switched by pressing button or tamper key two times. LED can indicate which mode it is. Lighting on one second means entering test mode, flashing once means entering normal mode.

When the event triggered, normally the LED won't indicated, unless the battery is in the low level, the LED will flash once. But in the "Test Mode" the LED also will light ON one second.

When the event triggered, the device will emit the signal to turn ON the lighting equipment, those nodes are in the group 2. And delay a while to turn OFF the lighting equipment. The delay time is setting by the configuration NO. 7.

The PIR motion re-detected interval, in the "Test Mode" fixed to 10 seconds. In the "Normal Mode", it according to the setting of the

configuration NO. 6.

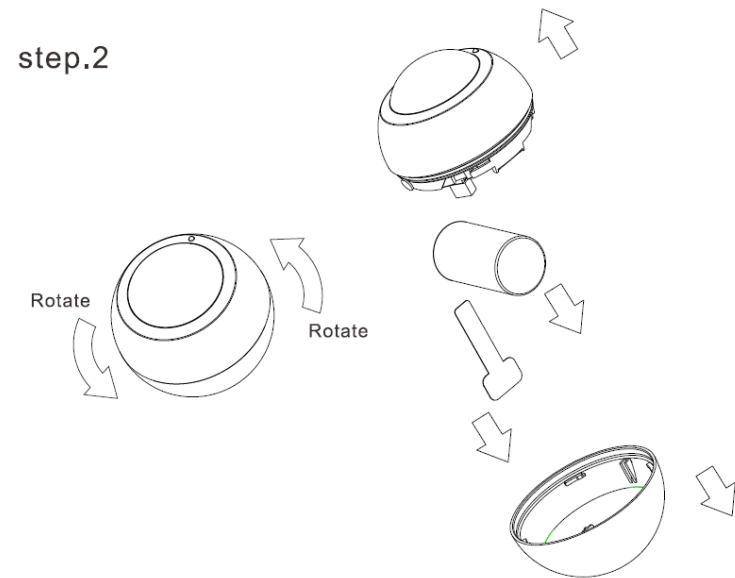
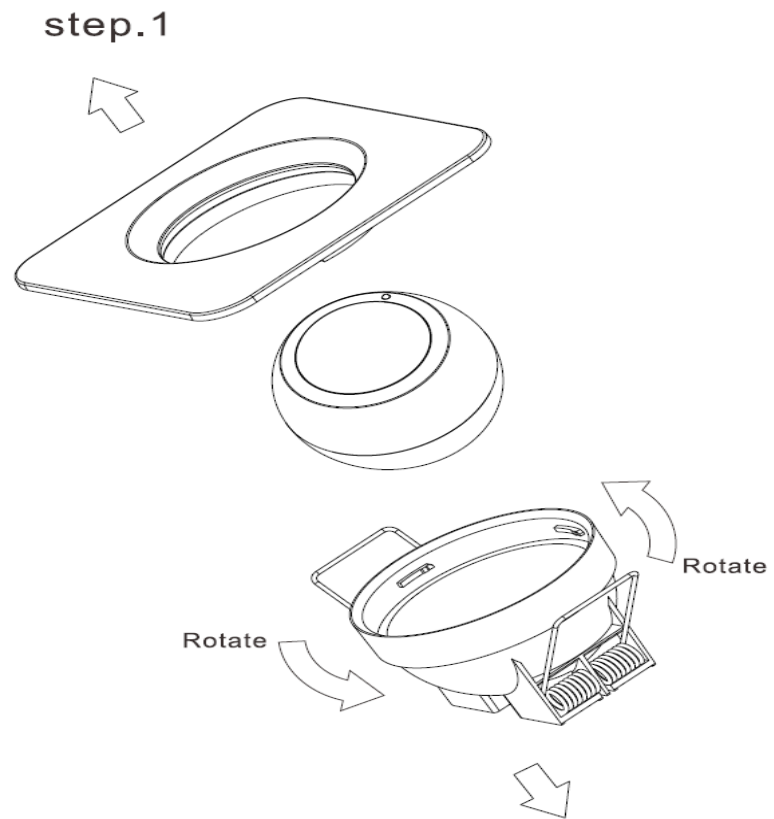


Choosing a Suitable Location

1. The recommended mounting height is 160cm
2. Don't let the device facing the window or the sunlight.
3. Don't let the device facing the source of heat. For instance the heater or the air-condition.

Battery Installation

When the device reports the low battery message, users should replace the battery. The battery type is CR123A, 3.0V.



Z-Wave Configuration Settings

NO	Name	Def.	Valid	Description
1	Basic Set Level	99	0 ~ 99	Setting the BASIC command value to turn on the light. The 0x63 means turn on the light. For dimmer equipment 1 to 99 means the light strength. 0 means turn off the light.
3	PIR Sensitivity	80	0 ~ 99	PIR sensitivity settings. 0 means disable the PIR motion. 1 means the lowest sensitivity, 99 means the highest sensitivity. High sensitivity means can detected long distance, but if there is more noise signal in the environment, it will re-trigger too frequency.
4	Operation Mode	1	All	Operation mode. Using bit to control.
		1		Bit0: Setting the temperature scale. (1: Fahrenheit, 0:Celsius)
		0		Bit1: Reserve.
		0		Bit2: Reserve.
		0		Bit3: Reserve.
		0	3	Bit4: Reserve.
		0		Bit5: Reserve.
		0		Bit6: Reserve.
		0		Bit7: Reserve.
5	Customer Function	3	All	Customer function switch, using bit control.
		1		Bit0: Tamper On/Off (1:On, 0:Off)

NO	Name	Def.	Valid	Description
		1		Bit1: Red LED On/Off (1:On, 0:Off)
		0		Bit2: Motion Off.(1:On, 0:Off) Note: Depends on the Bit2, 1: Report Notification CC, Type: 0x07, Event: 0xFE
		0		Bit3: Reserve.
		0		Bit4: Reserve.
		0		Bit5: Reserve.
		0		Bit6: Reserve.
		0		Bit7: Reserve.
6	PIR Re-Detect Interval Time	6	1 ~ 60	In the normal mode, after the PIR motion detected, setting the re-detect time. 10 seconds per tick, default tick is 6 (60 seconds). Setting the suitable value to prevent received the trigger signal too frequently. Also can save the battery energy. Notice: If this value bigger than the configuration setting NO. 7 There is a period after the light turned off and the PIR not start detecting.
7	Turn Off Light Time	7	1 ~ 60	After turn on the lighting, setting the delay time to turn off the lighting when the PIR motion is not detected. 10 seconds per tick, default tick is 7 (70 seconds). 0 means never send turn off light command.
8	Auto Report	12	0 ~ 127	The interval time for auto report the

NO	Name	Def.	Valid	Description
	Battery Time			battery level. 0 means turn off auto report battery. The default value is 12. The tick time can setting by the configuration No.11.
9	Auto Report LightSensor Time	12	1 ~ 127	The interval time for auto report the illumination. The default value is 12. The tick time can setting by the configuration No.11.
10	Auto Report Temperature Time	12	1 ~ 127	The interval time for auto report the temperature. The default value is 12. The tick time can setting by the configuration No.11.
11	Auto Report Tick Interval	30	1 ~ 127	The interval time for auto report each tick. Setting this configuration will effect configuration No.8, No.9 and No.10. The unit is 1 minute.
12	Temperature Differential Report	10	1~100%	The temperature differential to report. 0 means turn off this function. The unit is Fahrenheit. Enable this function the device will detect every minutes. And when the temperature is over 140 degree Fahrenheit, it will continue report. Enable this functionality will cause some issue please see the detail in the "Temperature Report" section.
13	LightSensor Differential Report	20	1~100%	The LightSensor Differential to report. 0 means turn off this function. The unit is percentage. Enable this function the device will detect

NO	Name	Def.	Valid	Description
				every percentage. And when the lightSensor is over 20 percentage, it will continue report.
14	PIR Trigger Mode	1	1~3	PIR Trigger Mode: Mode1: Normal Mode2: DayTime Mode3: AtNight
15	PIR NightLine	2	1~10000	PIR night line Lux conditions: LightSensor determines whether the level is night. (Unit 1Lux)

Z-Wave Supported Command Class

Command Class	Version	Required Security Class
Z-Wave Plus Info	2	None
Version	3	Highest granted Security Class
Manufacturer Specific	2	Highest granted Security Class
Security 2	1	None
Device Reset Locally	1	Highest granted Security Class
Association	2	Highest granted Security Class
Association Group Information	1	Highest granted Security Class
Powerlevel	1	Highest granted Security Class
Basic	1	Highest granted Security Class
Configuration	1	Highest granted Security Class
Notification	8	Highest granted Security Class

Firmware Update Meta Data	4	Highest granted Security Class
Supervision	1	None
Transport Service	2	None
Battery	1	Highest granted Security Class
Sensor multilevel	11	Highest granted Security Class
Wake up	2	Highest granted Security Class

Specifications

Power by CR123A lithium battery.

Signal (Frequency):

868.40 MHz, 869.85 MHz(EU),
 908.40 MHz, 916.00 MHz(US),(Canada)
 922~927 MHz(JP/TW),
 921.40 MHz, 919.80 MHz(ANZ),
 869.00 MHz(RU),
 865.20 MHz(IN),
 916.00 MHz(IL),

RF Maximum Power: +5dBm

Range:

Minimum 40 meters indoor, 100 meters outdoor line of sight.

Operating Temperature: -10°C ~ 40°C For indoor use only.

Specifications subject to change without notice due to continuing product improvement.

FCC ID: RHPST07

Disposal



This marking indicates that this product should not be disposed with other household wastes throughout the EU. To prevent possible harm to the environment or human health from uncontrolled waste disposal, recycle it responsibly to promote the sustainable reuse of material resources. To return your used device, please use the return and collection systems or contact the retailer where the product was purchased. They can take this product for environmental safe recycling.

Company of License Holder : Philio Technology Corporation
 Address of License Holder : 8F., No.653-2, Zhongzheng Rd., Xinzhuang Dist., New Taipei City 24257, Taiwan(R.O.C)



FCC Interference Statement

This equipment has been tested and found to comply with the limits for a Class B digital device, pursuant to Part 15 of the FCC Rules. These limits are designed to provide reasonable protection against harmful interference in a residential installation. This equipment generates, uses and can radiate radio frequency energy and, if not installed and used in accordance with the instructions, may cause harmful interference to radio communications. However, there is no guarantee that interference will not occur in a particular installation. If this equipment does cause harmful interference to radio or television reception, which can be determined by turning the equipment off and on, the user is encouraged to try to correct the interference by one of the following measures:

- Reorient or relocate the receiving antenna.
- Increase the separation between the equipment and receiver.
- Connect the equipment into an outlet on a circuit different from that to which the receiver is connected.
- Consult the dealer or an experienced radio/TV technician for help.

This device complies with Part 15 of the FCC Rules. Operation is subject to the following two conditions:

- (1) This device may not cause harmful interference, and
- (2) This device must accept any interference received, including interference that may cause undesired operation.

FCC Caution: Any changes or modifications not expressly approved by the party responsible for compliance could void the user's authority to operate this equipment.

This transmitter must not be co-located or operating in conjunction with any other antenna or transmitter.

Warning

Do not dispose of electrical appliances as unsorted municipal waste, use separate collection facilities. Contact your local government for information regarding the collection systems available. If electrical appliances are disposed of in landfills or dumps, hazardous substances can leak into the groundwater and get into the food chain, damaging your health and well-being.

When replacing old appliances with new ones, the retailer is legally obligated to take back your old appliance for disposal at least for free of charge.