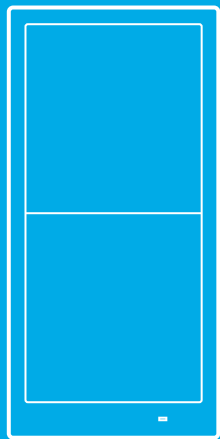
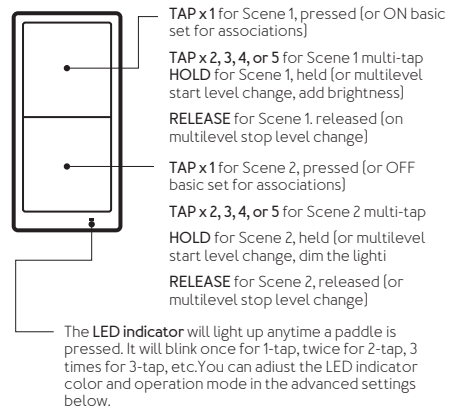
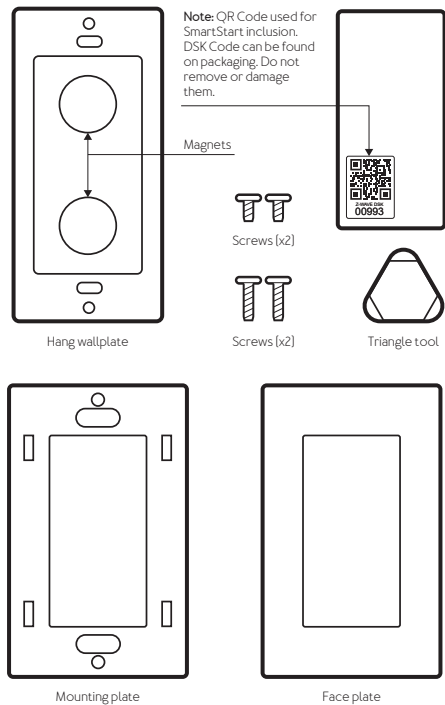


illumino
WallMote 7
ZWA022-A



AEOTEC

Used in this guide.



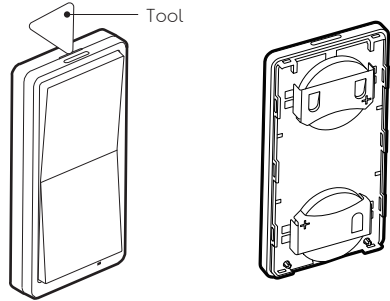
Important safety information.

Please read this and the online guide(s) at support.aeotec.com/wallmote7 carefully. Failure to follow the recommendations set forth by Aeotec Limited may be dangerous or cause a violation of the law. The manufacturer, importer, distributor, and / or reseller will not be held responsible for any loss or damage resulting from not following any instruction in this guide or in other materials.

illumino WallMote 7 is intended for indoor use in dry locations only. Do not use it in locations with direct water contact.

Contains small parts; keep away from children.

Power the device.



- Use the tool to open the remote, place the tool in and push in to separate the 2 halves.
- Remove the battery tabs
- Immediately your WallMote 7 should flash its LED to indicate it is powered.

Connect illumino WallMote 7 to a hub.

- If using **Aeotec AutoPilot**:
 - Select **Devices**.
 - Select **+ Add new**.
 - Select **+**.
 - Select **+ Add**.
 - Tap the top or bottom switch of illumino

WallMote 7 once. The LED will flash a white LED while attempting to connect.

- If prompted by AutoPilot, enter the 5 digit DSK or scan WallMote 7's QR code.
- If using **Aeotec Smart Home Hub** or **SmartThings**:
 - Open **SmartThings** app.
 - Tap **+**.
 - Tap **Device**.
 - Find and select **Aeotec**.
 - Tap **Remote / button**.
 - Tap **Aeotec Wallmote**.
 - Tap **Start**, then follow the remaining instructions to pair illumino WallMote 7.
 - When prompted by your hub, tap the top or bottom switch of illumino WallMote 7 once. The LED will flash a white LED while attempting to connect.
 - If prompted, enter the 5 digit DSK if on browser or scan WallMote 7's QR code.
 - If using **Z-Stick Gen5** or **Z-Stick Gen5+**:
 - Unplug Z-Stick Gen5**, then press its **Action Button** to put it into its 'add device' mode.
 - Tap the top or bottom switch of illumino WallMote 7 once. The LED will flash a white LED while attempting to connect.
 - SmartStart QR code scanning**:
 - If your Z-Wave gateway supports SmartStart you can scan the QR code on illumino WallMote 7 using the gateway's app. Your sensor will join your Z-Wave network automatically.
 - For most **other hubs**:
 - Set your Z-Wave hub to connect new Z-Wave devices.
 - Tap the top or bottom switch of illumino

WallMote 7 once. The LED will flash a white LED while attempting to connect.

- If prompted, Scan the QR code or 5 digit DSK number on your WallMote 7.

Connection LED states.

If the connection steps were followed correctly, the LED will change from a flashing white to one of these LED states depending on success or failure.

- Success:** LED will be solid green LED for 2 seconds.
- Fail:** LED will be solid red LED for 2 seconds..

Not connecting? Try these steps;

- If possible move your hub or illumino WallMote 7 closer together.
- Set hub to remove Z-Wave Devices.
- Tap top or bottom WallMote 7 6x times within 2 seconds.
- The LED will blink purple to indicate it is attempting to remove itself.
 - If successful, the LED will fade in and out to indicate it is ready to be connected to a new hub.
- Try connecting illumino WallMote 7 again.
- Get further help and tutorials at help.aeotec.com

Install on a wall.

You may use adhesives or screws when affixing WallMote 7 directly to your wall if you are installing WallMote 7 in an area without an available gangbox.

A. Using Adhesives.

- Peel off the adhesive protective sheet located on the back of the Hang wallplate.
- Apply pressure to the wall in the desired installation location for 5 seconds.
- Grab a screwdriver and 2 small screws, and then screw the Mounting Plate into the Hang wallplate.
- Place the Face plate over the Hang wallplate and Hang Plate.
- Place WallMote 7 into the center.

B. Using Screws.

- Place WallMote 7 plate against the area you wish to install it.
- Using a pencil, create 2 markings within the inner holes of the Hang wallplate. Then place the Hang wallplate to the side.
- Use a small drill bit, drill a small hole into the middle of your pencil markings.
- Grab a screwdriver, 2 long screws, and Hang wallplate; then screw the Hang wallplate over the 2 inner drilled holes.
- Grab the 2 small screws and screw the Mounting Plate into the Wall Plate.
- Place the Face plate over the Hang wallplate and Mounting plate.
- Place WallMote 7 into the center.

