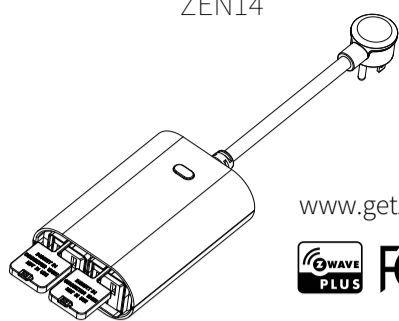




**DOUBLE OUTDOOR PLUG**  
ZEN14



www.getzooz.com



**FEATURES**

- Z-Wave™ on/off control of 2 individual loads
- IP65 rated for outdoor use
- Easy set-up and angled plug for better outlet fit
- S2 security and Z-Wave Plus™ technology
- Supports OTA firmware updates
- ETL listed for compliance with North American safety standards

**SPECIFICATIONS**

- Model Number: ZEN14
- Z-Wave™ Signal Frequency: 908.42 MHz
- Power: 110 VAC, 60 Hz
- Maximum Load: 15 A, 150 W LED bulbs, 1000 W incandescent, 1/3 hp motor **total between 2 outlets**
- Range: Up to 300 feet line of sight
- Installation and Use: Indoor or outdoor
- IP Rating: 65
- Dimensions: 3.5" x 5" x 1.75"
- Cord Length: 6.5"

**CAUTION**

This is an electrical device - please use caution when installing and operating the Double Outdoor Plug. Remote control of appliances may result in unintentional or automated activation of power. Do **NOT** use this Z-Wave™ device to control electric heaters or other appliances which produce the risk of fire, burns, or electrical shock when unattended.

**INSTALLATION**

Plug the Double Outdoor Plug into any standard grounded 110 V receptacle. Do NOT connect any devices to the plug at this point. Click the Z-Wave™ button to see if the LED indicator comes on and off. If the LED indicator doesn't light up at all, please try a different receptacle. If it's still off, please get in touch with our support team: [ask@getzooz.com](mailto:ask@getzooz.com)  
**Click the button once to control outlet 1, double click the Z-Wave™ button to control outlet 2.**

**BEFORE YOU PLUG ANYTHING IN**

**Make sure the load you are about to connect does NOT exceed 15 A in power total between 2 outlets.**  
**Connecting heavy duty equipment to this Double Outdoor Plug will DAMAGE the device and may cause the connected appliance to malfunction.**  
**Do NOT plug washers, dryers, refrigerators, or motors over 1/3 hp to this Double Outdoor Plug.**



This product can be included and operated in any Z-Wave™ network with other Z-Wave™ certified devices from other manufacturers and/or other applications. All non-battery operated nodes within the network will act as repeaters regardless of vendor to increase reliability of the network. This product features the latest Security 2 (S2) framework to remove smart home network hacking risks. This device is equipped with a unique authentication code for trusted wireless communication.

This is an ETL certified device. ETL, just like UL, is a Nationally Recognized Testing Laboratory. The ETL mark is proof of product compliance to North American safety standards.

**WARNING**

- This product should be installed indoors upon completion of any building renovations.
- Prior to installation, the device should be stored in a dry, dust-and-mold-proof place.
- Do not install the device in a place with direct sun exposure, high temperature, or humidity.
- Keep away from chemicals, water, and dust.
- Ensure the device is never close to any heat source or open flame to prevent fire.
- Ensure the device is connected to an electric power source that does not exceed the maximum load power.
- No part of the device may be replaced or repaired by the user.

**1. ADD DEVICE to your hub**

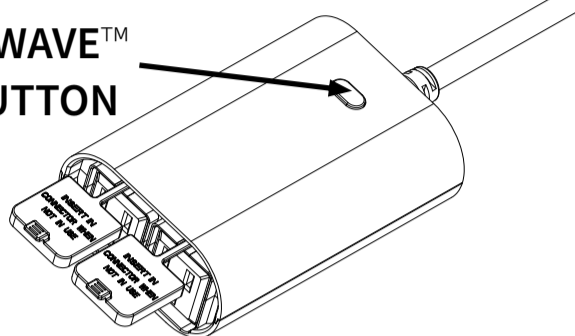
**Initiate inclusion (pairing)** in the app (or web interface). Not sure how? Scan the QR code below for instructions dedicated to your hub or visit [www.support.getzooz.com](http://www.support.getzooz.com) for more details.



**2. PLUG the ZEN14 into a receptacle**

While the hub is looking for new devices, **click the Z-Wave™ button 3 times** as quickly as possible. The LED indicator will start flashing blue to confirm inclusion mode and turn green for 1 second once inclusion is completed.

**Z-WAVE™ BUTTON**



Choose your hub and scan the QR code with your phone's camera. Then click on the link to access the step-by-step pairing instructions.



SmartThings



Hubitat



Home Assistant

NEED SOME HELP?  
[ask@getzooz.com](mailto:ask@getzooz.com)  
[www.support.getzooz.com](http://www.support.getzooz.com)

**TROUBLESHOOTING**

**The device won't add to your hub? Try this:**

1. Initiate **EXCLUSION** in your hub and click the Z-Wave™ button 3 times as quickly as possible. Then try adding it again after it successfully excludes (this works as a reset and can be tried even if the plug was never connected to your hub in the past).
2. Click the Z-Wave™ button **4-5 times quickly** when adding it or try adding it in a **non-secure** mode.
3. Bring the plug **closer** to your hub, it may be out of range.
4. Double-check if the device is powered.
5. Get more troubleshooting tips for your hub at [www.support.getzooz.com](http://www.support.getzooz.com)

**EXCLUSION (REMOVING / UNPAIRING DEVICE)**

1. Bring the plug within direct **range** of your Z-Wave™ gateway (hub).
2. Put the Z-Wave™ hub into **exclusion** mode (not sure how to do that? [ask@getzooz.com](mailto:ask@getzooz.com)).
3. Press and release the **Z-Wave™ button 3 times** quickly.
4. Your hub will confirm exclusion and the plug will disappear from your controller's device list.

**FACTORY RESET**

When your network's primary controller is missing or otherwise inoperable, you may need to reset the device to factory settings manually. In order to complete the process, make sure the plug is powered, then **click the Z-Wave™ button twice and hold it the third time for 10 seconds**. The LED indicator will flash green 3 times to confirm a successful reset.

**NOTE: All previously recorded activity and custom settings will be erased from the device's memory.**

**ASSOCIATION**

The Double Outdoor Plug supports Group 1 for Lifeline communication and Group 2 and 3 with up to 2 devices for basic on/off control. This device will send a Basic Set command to Group 2 when outlet 1 changes its on/off status and a Basic Set command to Group 3 whenever outlet 2 changes its on/off status .

Not every Z-Wave™ system gives users access to direct association settings so if you're not sure where to find it, please get in touch with our support for help.

**WARRANTY**

This product is covered under a 12-month limited warranty and extended 5-year warranty once registered. To read the full warranty policy, register your product, or file a claim, please visit [www.getzooz.com/warranty](http://www.getzooz.com/warranty)

Please refer to your controller's user guide for advanced programming instructions as they are different for every software. **Not sure where to start? Go to [www.support.getzooz.com](http://www.support.getzooz.com) for detailed instructions how to change the settings on SmartThings, Hubitat, and more.** Or just email us: [ask@getzooz.com](mailto:ask@getzooz.com)

**Parameter 1:** Decide how the **LED indicator** behaves depending on the on/off status of the plug. The LED indicator will flash twice to confirm a setting has been changed.

**Values:** 0 – LED indicator is on when the plug is on, LED indicator is off when the plug is off (default); 1 – LED indicator is on when the plug is off, LED indicator is off when the plug is on; 2 – LED indicator is always off.

**Size:** 1 byte dec

**NOTE:** Click the Z-Wave™ button 6 times quickly to toggle between the values of this parameter manually from the device.

**Parameter 2:** Use this parameter to set the **auto turn-off timer for outlet 1** : the time after which you want outlet 1 to automatically turn off once it has been turned on. The number entered as value corresponds to the number of minutes.

**Values:** 0 – timer disabled (default); 1-65535 (minutes).

**Size:** 4 byte dec

**Parameter 3:** Use this parameter to set the **auto turn-off timer for outlet 2** : the time after which you want outlet 2 to automatically turn off once it has been turned on. The number entered as value corresponds to the number of minutes.

**Values:** 0 – timer disabled (default); 1-65535 (minutes).

**Size:** 4 byte dec

**Parameter 4:** Use this parameter to set the **auto turn-on timer for outlet 1**: the time after which you want outlet 1 to automatically turn on once it has been turned off. The number entered as value corresponds to the number of minutes.

**Values:** 0 – timer disabled (default); 1-65535 (minutes).

**Size:** 4 byte dec

**Parameter 5:** Use this parameter to set the **auto turn-on timer for outlet 2**: the time after which you want outlet 2 to automatically turn on once it has been turned off. The number entered as value corresponds to the number of minutes.

**Values:** 0 – timer disabled (default); 1-65535 (minutes).

**Size:** 4 byte dec

**Parameter 6:** Choose the **recovery state** for your Double Outdoor Plug if a **power outage** occurs. **Values:** 0 – both outlets on the plug automatically turn OFF once power is restored (it ignores the status prior to power outage); 1 – both outlets on the plug automatically turn ON once power is restored (it ignores the status prior to the power outage); 2 – both outlets on the plug remember and restore the status prior to the power outage (default).

**Size:** 1 byte dec

**NOTE:** Click the Z-Wave™ button 10 times quickly to toggle between the values of this parameter manually from the device.

**Parameter 7:** Set the brightness level of the **LED indicator**.

**Values:** 0 – bright; 1 – medium; 2 – low (default).

**Size:** 1 byte dec

**NOTE:** Click the Z-Wave™ button 8 times quickly to toggle between the values of this parameter manually from the device.

**Parameter 8:** Choose if you want to use the physical Z-Wave™ button on the plug to turn the outlets on or off manually or if you want to disable this function. If this parameter is set to 0 (disabled), you will only be able to turn the outlet on or off remotely using your Z-Wave™ hub.

**Values:** 0 – manual control disabled; 1 – manual control enabled (default).

**Size:** 1 byte dec

Choose your hub and scan the QR code with your phone's camera. Then click on the link to access the step-by-step instructions on how to access advanced settings for the plug on your Z-Wave™ system.



SmartThings



Hubitat



Home Assistant

Here is the list of command classes supported by this device:

COMMAND\_CLASS\_ZWAVEPLUS\_INFO\_V2,  
 COMMAND\_CLASS\_SWITCH\_BINARY\_V2,  
 COMMAND\_CLASS\_CONFIGURATION\_V4,  
 COMMAND\_CLASS\_ASSOCIATION\_V3,  
 COMMAND\_CLASS\_MULTI\_CHANNEL\_ASSOCIATION\_V4  
 COMMAND\_CLASS\_ASSOCIATION\_GRP\_INFO\_V3,  
 COMMAND\_CLASS\_TRANSPORT\_SERVICE\_V2,  
 COMMAND\_CLASS\_VERSION\_V2,  
 COMMAND\_CLASS\_MANUFACTURER\_SPECIFIC,  
 COMMAND\_CLASS\_DEVICE\_RESET\_LOCALLY,  
 COMMAND\_CLASS\_INDICATOR\_V3,  
 COMMAND\_CLASS\_POWERLEVEL,  
 COMMAND\_CLASS\_SECURITY\_2,  
 COMMAND\_CLASS\_SUPERVISION,  
 COMMAND\_CLASS\_FIRMWARE\_UPDATE\_MD\_V5

IN NO EVENT SHALL ZOOZ OR ITS SUBSIDIARIES AND AFFILIATES BE LIABLE FOR ANY INDIRECT, INCIDENTAL, PUNITIVE, SPECIAL, OR CONSEQUENTIAL DAMAGES, OR DAMAGES FOR LOSS OF PROFITS, REVENUE, OR USE INCURRED BY CUSTOMER OR ANY THIRD PARTY, WHETHER IN AN ACTION IN CONTRACT, OR OTHERWISE EVEN IF ADVISED OF THE POSSIBILITY OF SUCH DAMAGES. ZOOZ'S LIABILITY AND CUSTOMER'S EXCLUSIVE REMEDY FOR ANY CAUSE OF ACTION ARISING IN CONNECTION WITH THIS AGREEMENT OR THE SALE OR USE OF THE PRODUCTS, WHETHER BASED ON NEGLIGENCE, STRICT LIABILITY, BREACH OF WARRANTY, BREACH OF AGREEMENT, OR EQUITABLE PRINCIPLES, IS EXPRESSLY LIMITED TO, AT ZOOZ'S OPTION, REPLACEMENT OF, OR REPAYMENT OF THE PURCHASE PRICE FOR THAT PORTION OF PRODUCTS WITH RESPECT TO WHICH DAMAGES ARE CLAIMED. ALL CLAIMS OF ANY KIND ARISING IN CONNECTION WITH THIS AGREEMENT OR THE SALE OR USE OF PRODUCTS SHALL BE DEEMED WAIVED UNLESS MADE IN WRITING WITHIN THIRTY (30) DAYS FROM ZOOZ'S DELIVERY, OR THE DATE FIXED FOR DELIVERY IN THE EVENT OF NONDELIVERY.

**FCC NOTE**  
 THE MANUFACTURER IS NOT RESPONSIBLE FOR ANY RADIO OR TV INTERFERENCE CAUSED BY UNAUTHORIZED MODIFICATIONS TO THIS EQUIPMENT. SUCH MODIFICATIONS COULD VOID THE USER'S AUTHORITY TO OPERATE THE EQUIPMENT. STORE INDOORS WHEN NOT IN USE. SUITABLE FOR DRY LOCATIONS ONLY. DO NOT IMMERSE IN WATER. NOT FOR USE WHERE DIRECTLY EXPOSED TO WATER. This device complies with Part 15 of the FCC Rules. Operation is subject to the following conditions:  
 1. This device may not cause harmful interference,  
 2. This device must accept any interference received, including interference that may cause undesired operation.

This equipment has been tested and found to comply with the limits for a Class B digital device, pursuant to part 15 of the FCC Rules.

These limits are designed to provide reasonable protection against harmful interference in a residential installation.

This equipment generates, uses and can radiate radio frequency energy and, if not installed and used according to instructions, may cause harmful interference to radio communications.

However, there is no guarantee that interference will not occur in any given installation.

If this equipment causes harmful interference to radio or television reception, the user may try to correct the interference by taking one or more of the following measures:

- Reorient or relocate receiving antenna
- Increase the separation between equipment and receiver
- Connect equipment into a separate outlet or circuit from receiver
- Consult the dealer or an experienced radio/TV technician for additional assistance

All brand names displayed are trademarks of their respective holders.

© Zooz 2022

**Questions?**  
**[ask@getzooz.com](mailto:ask@getzooz.com)**