

Minoston™

Smart On/Off Switch



- Switch x1
- Wiring x1
- Screws x2
- Faceplate x1

Specifications:

Model: MS10ZS
Power: 120VAC, 60Hz
Frequency: 908.42 MHz
Maximum Load: 960W Incandescent,
½ HP Motor or 1800W (15A) Resistive
Temperature Range: 32-104° F (0-40° C)

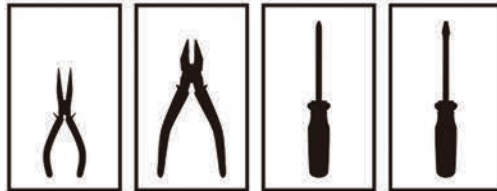
For indoor use.

IMPORTANT!

The fixture controlled by the Z-Wave™ In-wall Smart Switch must not exceed 960 watts (Incandescent); 1800W (15A) Resistive or ½ HP Motor. The switch is designed only for using with permanently installed fixtures.

Pre-installation preparation

Tools You Will Need



Single switch wiring

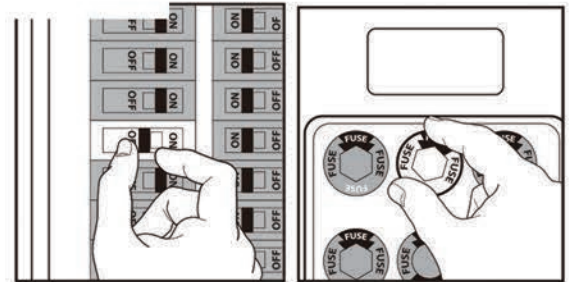
Before you start; you may wish to change your wallplate or decor.

Please proceed to <To Change Color

(1) Shut off power to the circuit at circuit breaker or fuse box.

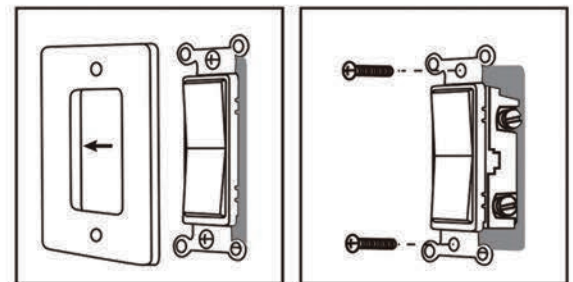
IMPORTANT! Verify power is OFF to switch box before continuing.

Turn OFF the power to the branch circuit for the switch and lighting fixture at the service panel. All wiring connections must be made with the POWER OFF to avoid personal injury and/or damage to the switch.

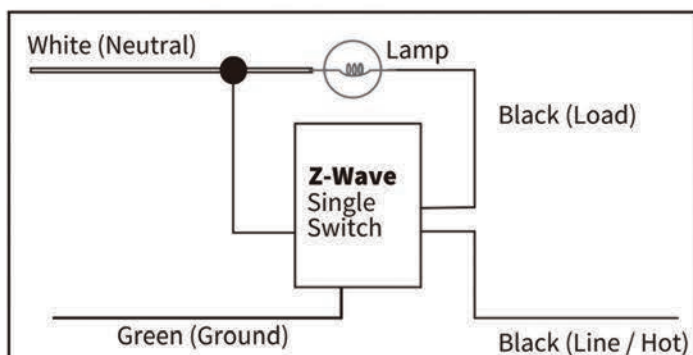


(2) Remove wall plate, Remove the switch mounting screws.

(3) Carefully remove the switch from the switch box. DO NOT disconnect the wires.



Understanding circuit diagrams



Identify the wires.

- A. LINE (Hot) — Black (connected to power)
- B. NEUTRAL — White
- C. LOAD — Black (connected to lighting)
- D. GROUND — Green/Bare
- E. TRAVELER — Red/Other (only in 3-way in stallations)

▲ Common

